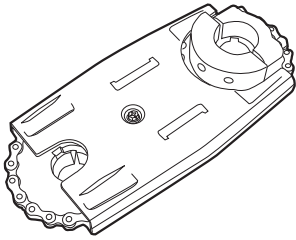


CHAMBERLAIN®

**LiftMaster**  
**PROFESSIONAL**

## Models 480LM & 480LMC Alternate Mounting Kit



### **WARNING**

To avoid possible **SERIOUS INJURY** to fingers from moving garage door opener:

- Be sure power is not connected to the garage door opener **BEFORE** installing the 480LM mounting kit.
- **ALWAYS** keep hand clear of chain and sprocket while operating opener.
- Securely attach chain cover **BEFORE** operating.

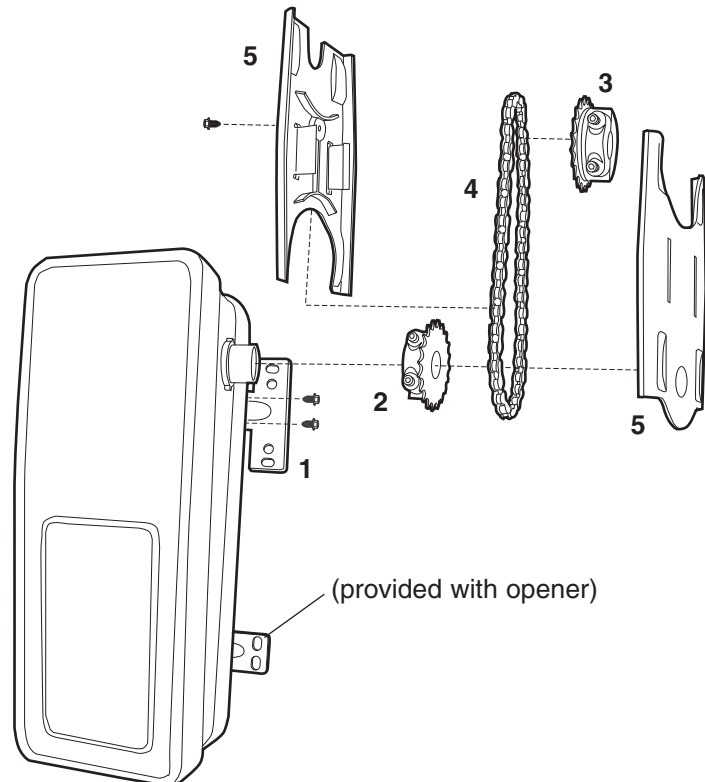
### **CARTON INVENTORY**

- 1 T-bracket
- 2 1-1/4" Sprocket with Collar and Screws
- 3 1" Sprocket with Collar and Screws
- 4 Chain
- 5 Cover Assembly

#### **NOT SHOWN**

Hardware: 1/2" Screw (1),  
#10 Self-Threading Screw (2),  
and 1-1/2" Hex Head Screw (2)

Instructions



## **INSTALLATION**

1. Disassemble kit and remove foam pad (attached to sprocket hub). Discard foam pad.
2. Attach the T-bracket to the motor unit using the self-threading screws (Figure 1).

**NOTE:** The T-bracket will be above the existing mounting bracket.

3. Attach sprocket with larger bore (1-1/4") to the motor shaft of the opener. Position the sprocket so that the screws are facing up and are accessible when attached to the torsion bar (Figure 2).
4. Tighten both sides of the sprocket screws equally to secure the sprocket to the motor unit (12-14 ft./lbs. of torque). Securely tighten set screw.

Figure 1

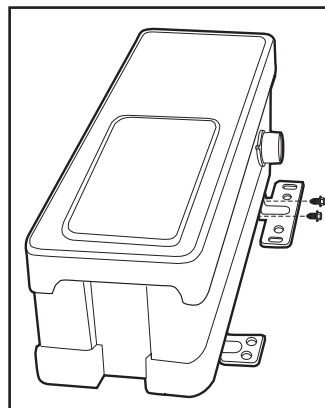
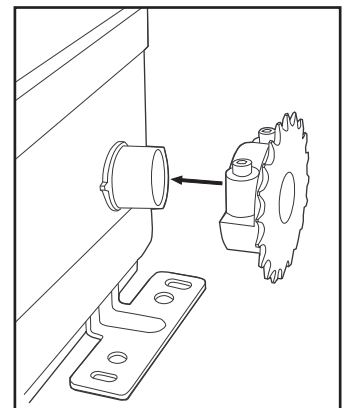


Figure 2



For more information, please visit [www.devancocanada.com](http://www.devancocanada.com) or call toll free at 855-931-3334

## INSTALLATION

5. Attach sprocket with the smaller bore (1") to the torsion bar making sure that the screws are on the side closest to the garage door (Figure 3).

**NOTE:** Do not tighten sprocket at this time.

6. Place the chain on the sprocket located on the torsion bar (Figure 4).
7. Attach the sprocket located on the motor unit shaft to the chain. Secure the motor unit to the wall using the hex head screws (Figure 5).

**NOTE:** Ensure that the chain is perpendicular to the bar and not too tight.

8. Tighten both screws of the sprocket on the torsion bar equally to secure the sprocket to the bar (12-14 ft./lbs. of torque). Securely tighten set screw. You may need to rotate the chain to make the screws accessible.
9. One side of the chain cover will have an indentation that will fit into the middle of the motor unit sprocket. This side should be put on first (Figure 6).
10. Position the remaining cover over the other side so that it encloses the chain and sprocket assembly. The covers will snap into place. Secure them by screwing them together using the 1/2" screw (Figure 7).
11. Rotate chain to ensure smooth travel. Adjust, if necessary.
12. Refer to Installation Step 2 of the owner's manual for further instructions.

Figure 3

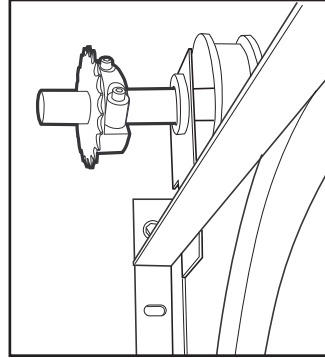


Figure 4

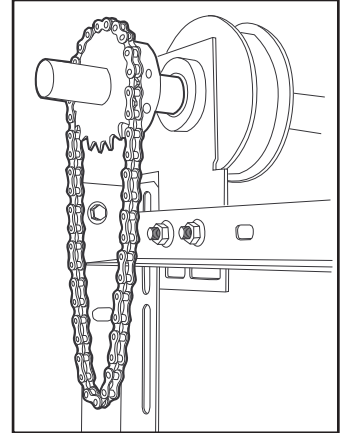


Figure 5

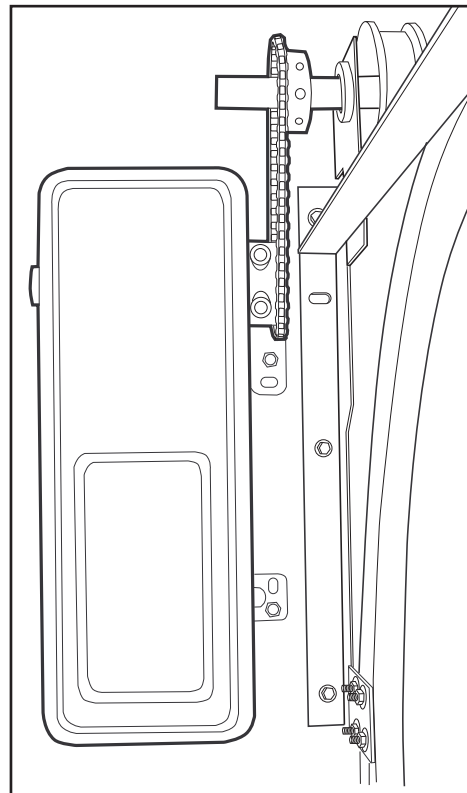


Figure 6

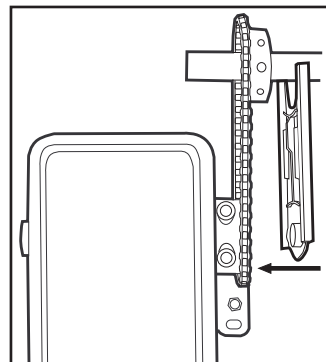
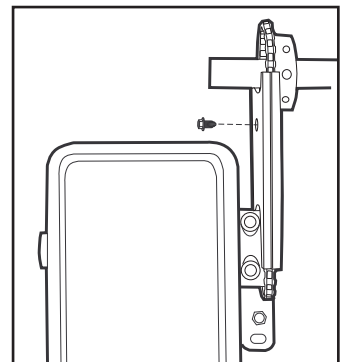


Figure 7



### HOW TO ORDER REPAIR PARTS

## DEVANCO CANADA

19192 HAY ROAD, UNIT Q  
SUMMERSTOWN, ON K0C 2E0

TOLL FREE: 855-931-3334

[www.devancocanada.com](http://www.devancocanada.com)

**WHEN ORDERING REPAIR PARTS  
PLEASE SUPPLY THE  
FOLLOWING INFORMATION:**

- ✓ PART NUMBER
- ✓ DESCRIPTION
- ✓ MODEL NUMBER