

# LiftMaster®

## **Battery Replacement Instructions**

1. Disconnect power to opener.
2. Using a Phillips head screwdriver, remove the battery cover on the motor unit.
3. Remove old battery and discard.
4. Partially insert new battery into motor unit with terminals facing out.
5. Connect red (+) and black (-) wires from motor unit to corresponding terminals on battery.
6. Replace battery cover.
7. Reconnect power.

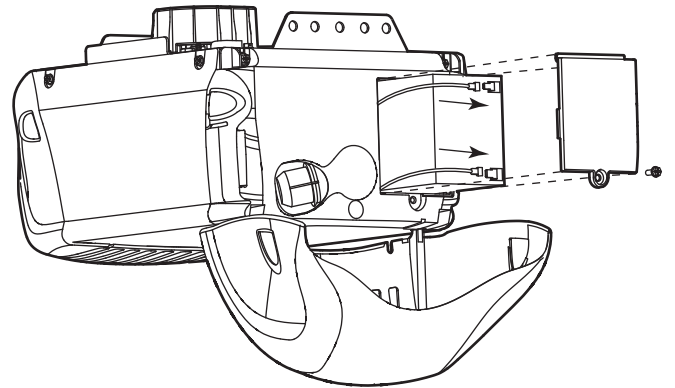
## **⚠ WARNING**

To reduce the risk of FIRE or INJURY to persons:

- Disconnect ALL electric and battery power BEFORE performing ANY service or maintenance.
- Use ONLY LiftMaster part # 485LM for replacement battery.
- DO NOT dispose of battery in fire. Battery may explode. Check with local codes for disposal instructions.

## **CAUTION**

ALWAYS wear protective gloves and eye protection when changing the battery or working around the battery compartment.



## **HOW TO ORDER REPAIR PARTS**

### **DEVANCO CANADA**

19192 HAY ROAD, UNIT Q  
SUMMERSTOWN, ON K0C 2E0

TOLL FREE: 855-931-3334  
[www.devancocanada.com](http://www.devancocanada.com)

**WHEN ORDERING REPAIR PARTS  
PLEASE SUPPLY THE FOLLOWING INFORMATION:**

- ✓ PART NUMBER
- ✓ DESCRIPTION
- ✓ MODEL NUMBER