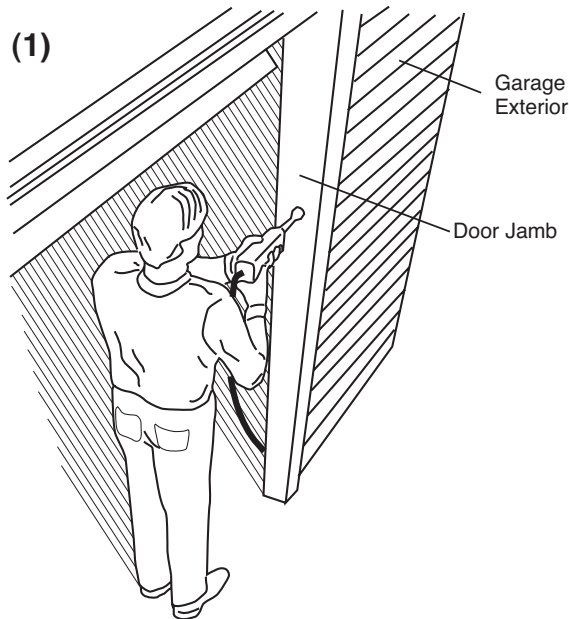


KEY SWITCH INSTALLATION INSTRUCTIONS

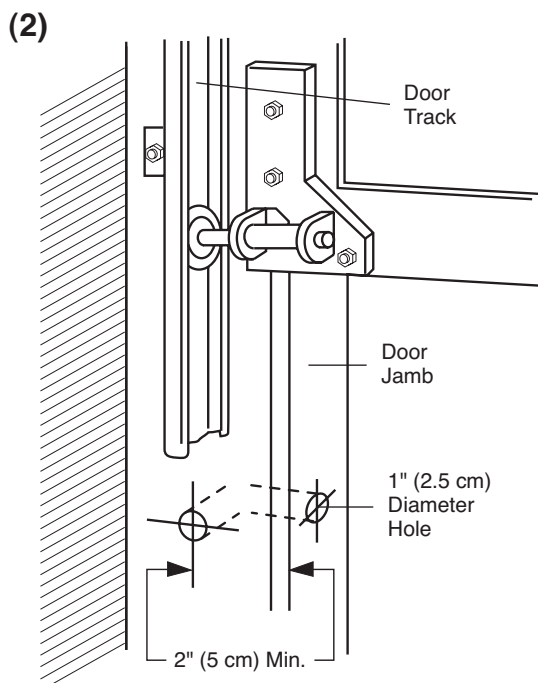
FOR SECTIONAL DOORS

(FOR ONE-PIECE DOORS Refer to Page 2)

Step 1: Disconnect power to operator. (Illustration 1)
Position key Switch in the upper half of garage door jamb.
Mark the location on horizontal center of jamb or to a depth of 2" (5 cm) (see Step 2).



Step 2: (Illustration 2). If your garage has a built-up jamb, drill the hole to a depth of 2" (5 cm). Then on the inside jamb, drill a second hole into the first hole to complete access.



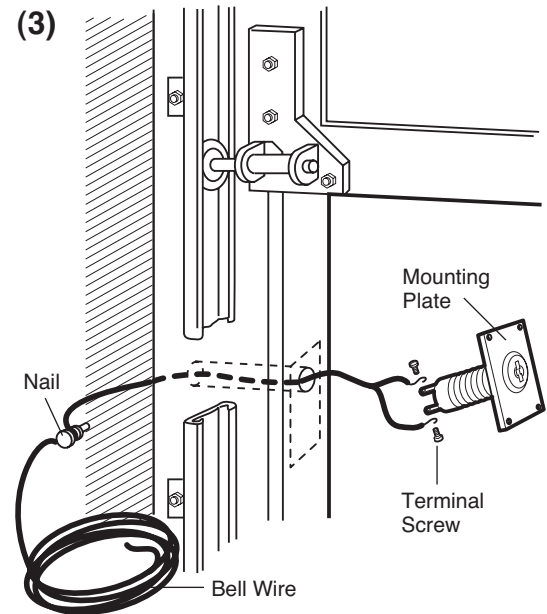
WARNING

To prevent possible SERIOUS INJURY or DEATH from electrocution, disconnect power to opener BEFORE proceeding.

Step 3: (Illustration 3). Thread the bell wire through completed hole from inside the garage. Fasten wire to the Key Switch terminal screws before attaching mounting plate to jamb. In most cases, 4 screw nails will hold the plate firmly in place. Drive a nail into jamb and wind some wire around it before running wire to the opener terminals.

NOTE: Instructions for attaching bell wire to opener terminals are on Page 2.

CAUTION: Bell wire should be pulled taut to prevent access to wiring from outside the garage.



Step 4: If screw nails won't hold the plate firmly in place, use anchor and nut supplied with hardware. (See illustration on page 2). If anchor and nut are used, remove the Key Switch terminal screws.

Insert key Switch in drilled hole. Install anchor and nut. Return screws to switch terminals. Fasten bell wire to terminals. Drive a nail into jamb and wind some wire around it before connecting to terminals on back of opener.

NOTE: Instructions for attaching the bell wire to opener are on page 2 (illustration 5).

For more information:

www.devancocanada.com or call toll free at 855-931-3334

KEY SWITCH INSTALLATION FOR ONE-PIECE DOORS

STEP 5: (illustration 4). Install Key Switch in the exterior away from door opening to avoid injury as door swings out and up.

Drill a 1" diameter hole through wall. Remove terminal screws from the Key Switch. Insert switch in hole and fasten in place with screw nails and/or anchor and nut hardware. Return screws to switch terminals. Fasten bell wire to terminals. Drive a nail into jamb and wind some wire around it before connecting to the terminals on the back of the opener.

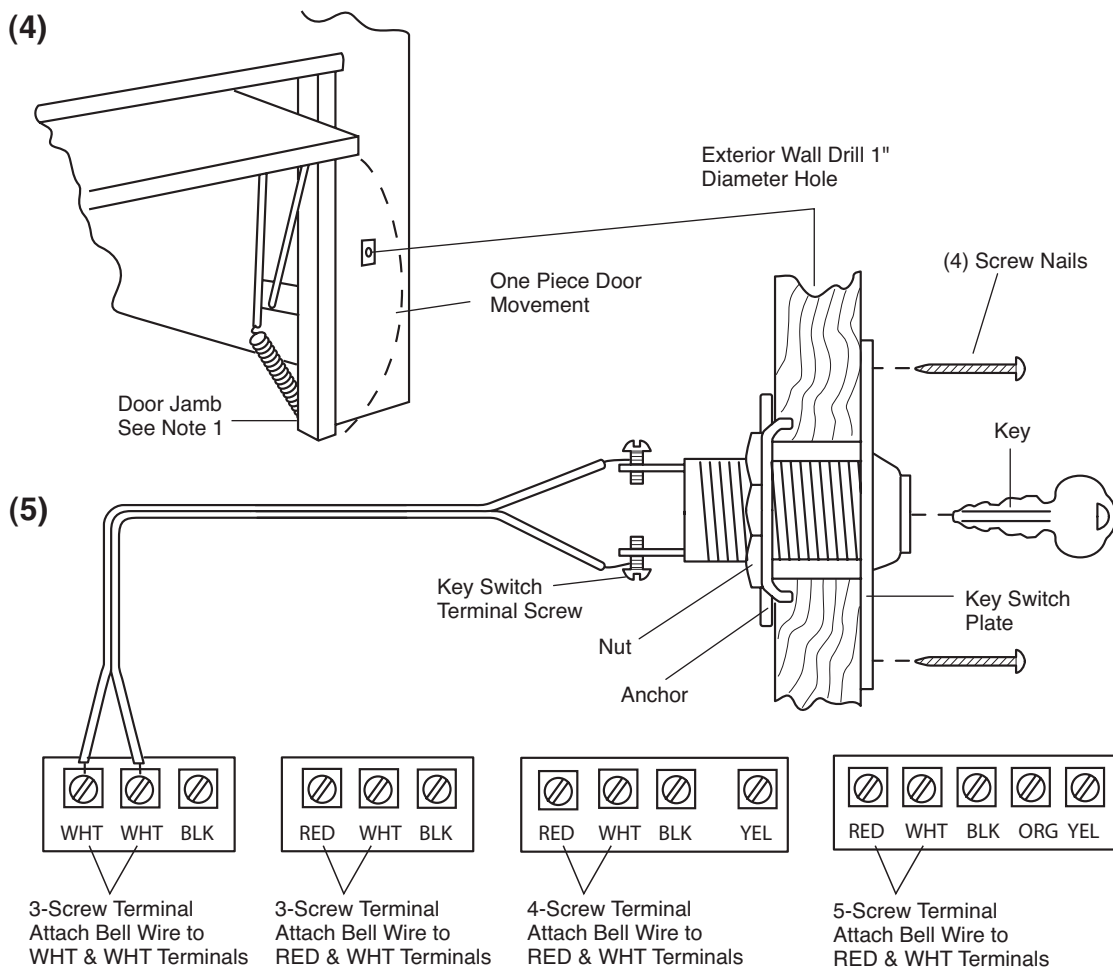
NOTE: Instructions for connecting bell wire to opener terminals are explained below (illustration 5).

STEP 6: If your garage is constructed of material other than wood, install the Key Switch in door jamb as explained on Page 1 with this important exception: **LOCATE KEY SWITCH ON EXTERIOR FACE OF DOOR JAMB TO AVOID INJURY AS DOOR SWINGS OUT AND UP.**

NOTE: For brick or stone garage, locate key Switch on exterior face of door jamb.

STEP 7: Reconnect power to opener.

Illustration (5) shows various garage door opener terminal connection strips. They differ according to opener model number. Locate the terminal illustration which matches your opener and attach bell wire as shown.



***HOW TO ORDER
REPAIR PARTS***

DEVANCO CANADA

19192 HAY ROAD, UNIT Q
SUMMERSTOWN, ON K0C 2E0

TOLL FREE: 855-931-3334

www.devancocanada.com

**WHEN ORDERING REPAIR PARTS
PLEASE SUPPLY THE
FOLLOWING INFORMATION:**

- ✓ PART NUMBER
- ✓ DESCRIPTION
- ✓ MODEL NUMBER