

For use with Security+ 2.0™ Garage Door Openers. All Security+ 2.0™ Garage Door Openers have a yellow Learn button and a yellow antenna wire. The features are adjustable and may be turned off or on as desired. Refer to the Feature Settings section.

Feature Overview

LIGHT BUTTON

Press the LIGHT button to turn the garage door opener lights on or off. When the lights are turned on they will stay on until the LIGHT button is pressed again, or until the garage door opener is activated. Once the garage door opener is activated the lights will turn off after the specified period of time (the factory setting is 4-1/2 minutes). The LIGHT button will not control the lights when the door is in motion.

LOCK

The LOCK feature is designed to prevent activation of the garage door opener from remote controls while still allowing activation from the door control and keyless entry. This feature is useful for added peace of mind when the home is empty (i.e. vacation).

MAINTENANCE ALERT SYSTEM (MAS)

This feature assists the homeowner in ensuring the garage door opener system stays in good working condition. When the garage door opener needs to be serviced (approximately 4500 garage door opener cycles) the command (yellow) and service (red) LEDs will begin to alternately flash back and forth. The MAS feature can be activated at time of installation. Contact your installing dealer for service. The factory setting for the MAS feature is off.

NOTICE: To comply with FCC and or Industry Canada rules (IC), adjustment or modifications of this receiver and/or transmitter are prohibited, except for changing the code setting or replacing the battery. THERE ARE NO OTHER USER SERVICEABLE PARTS.
Tested to Comply with FCC Standards for Home or office use. Operation is subject to the following two conditions: (1) this device may not cause harmful interference, and (2) this device must accept any interference received, including interference that may cause undesired operation.

This Class B digital apparatus complies with Canadian ICES-003.
Cet appareil numérique de la classe B est conforme à la norme NMB-003 du Canada.

**For more information:
www.devancocanada.com
or call toll free at 855-931-3334**

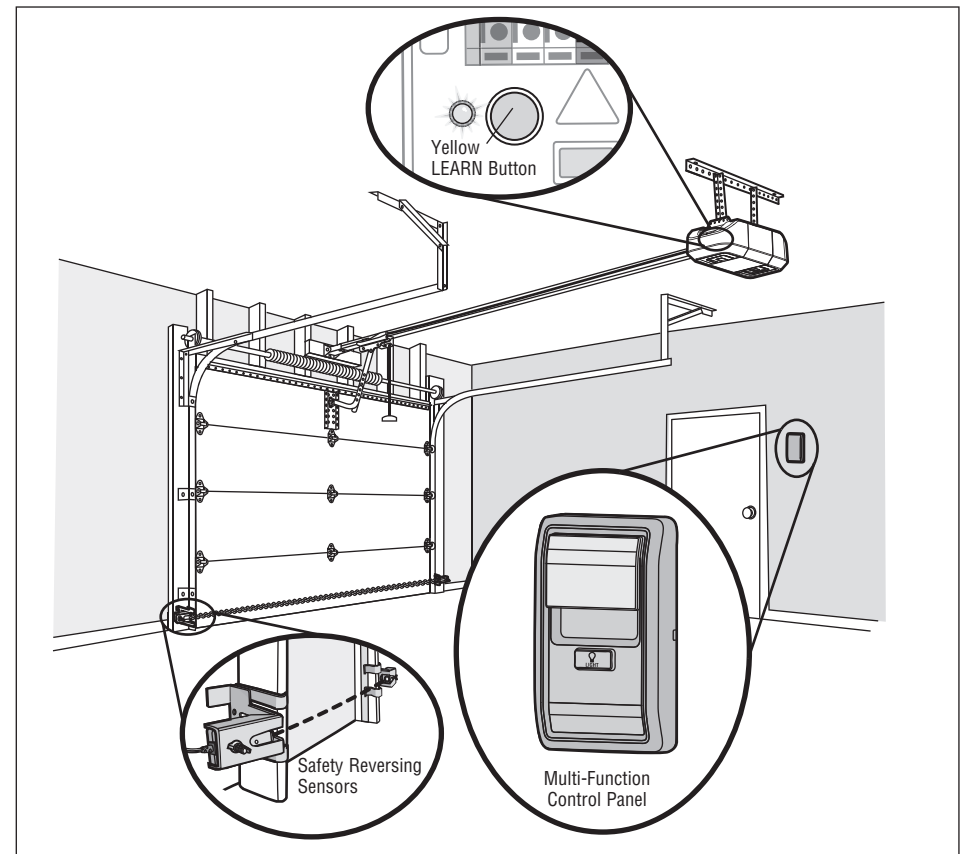
⚠️ WARNING

To prevent possible SERIOUS INJURY or DEATH from electrocution:

- Be sure power is NOT connected BEFORE installing door control.
- Connect ONLY to 12 VOLT low voltage wires.

To prevent possible SERIOUS INJURY or DEATH from a closing garage door:

- Install door control within sight of garage door, out of reach of children at a minimum height of 5 feet (1.5 m), and away from ALL moving parts of door.
- NEVER permit children to operate or play with door control push buttons or remote control transmitters.
- Activate door ONLY when it can be seen clearly, is properly adjusted, and there are no obstructions to door travel.
- ALWAYS keep garage door in sight until completely closed. NEVER permit anyone to cross path of closing garage door.



Installation

Install the door control within sight of the garage door at a minimum height of 5 feet (1.5 m) where small children cannot reach, and away from the moving parts of the door. For gang box installations it is not necessary to drill holes or install the drywall anchors. Use the existing holes in the gang box.

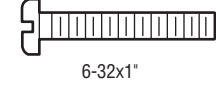
NOTE: Pre-wiring means that your garage already has wires installed for the door control. If this a new installation, or if you are not replacing an existing door control, it may be necessary to run new wire from the garage door opener to this door control.

HARDWARE

DRYWALL



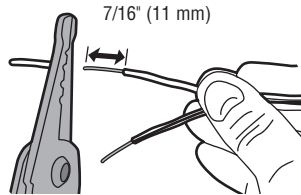
GANG BOX



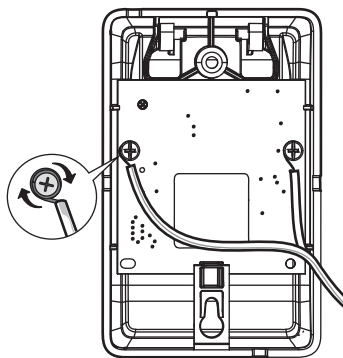
WIRE THE DOOR CONTROL

1 Disconnect electrical and battery power (if applicable) to the garage door opener.

2 Strip 7/16" (11 mm) of insulation from one end of the wire and separate the wires.



3 Connect one wire to each of the screws on the back of the door control. The wires can be connected to either screw.



PRE-WIRED INSTALLATIONS: Choose any two wires to connect, but make note of which wires are used.

MOUNT THE DOOR CONTROL

1 Mark the location of the bottom mounting hole and drill a 5/32" (4 mm) hole.

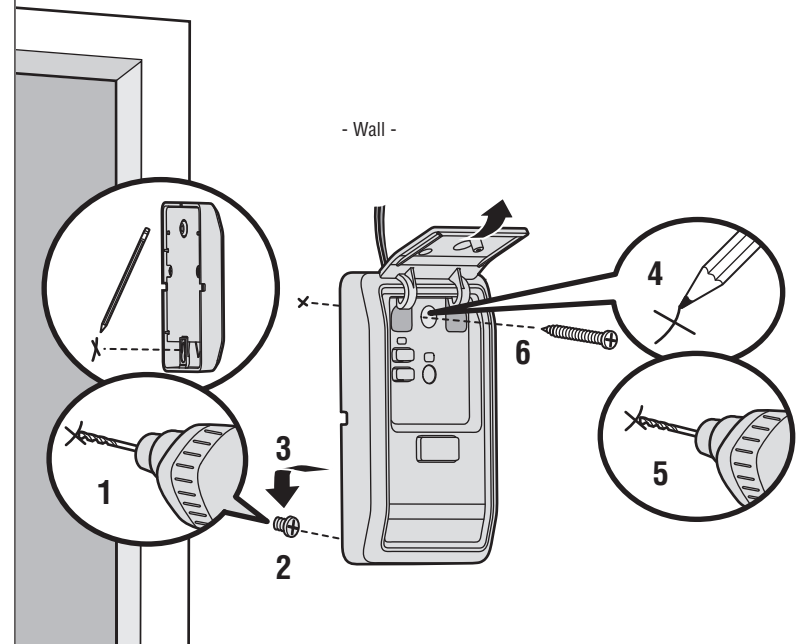
2 Install the bottom screw, allowing 1/8" (3 mm) to protrude from the wall.

3 Position the bottom hole of the door control over the screw and slide down into place.

4 Lift the push bar up and mark the top hole.

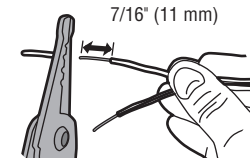
5 Remove the door control from the wall and drill a 5/32" (4 mm) hole for the top screw.

6 Position the bottom hole of the door control over the screw and slide down into place. Attach the top screw.

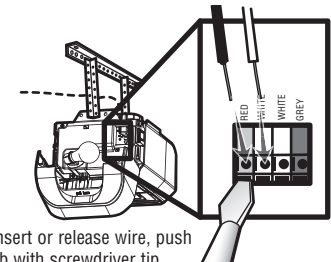


WIRE TO GARAGE DOOR OPENER

1 Run the white and red/white wire from the door control to the garage door opener. Attach the wire to the wall and ceiling with staples (not provided). Strip 7/16" (11 mm) of insulation from the end of the wire near the garage door opener.



2 Connect the wire to the red and white terminals on the garage door opener. The wires can be connected to either terminal.



To insert or release wire, push in tab with screwdriver tip.

PRE-WIRED INSTALLATIONS: Connect the same wires to the garage door opener that were previously connected to the door control.

3 Reconnect electrical and battery power (if applicable) to the garage door opener. The command LED behind the push bar on the door control will blink if installed correctly. To synchronize the garage door opener and the door control, press the push bar up to 3 times, until the garage door opener activates.

Operation

PUSH BAR

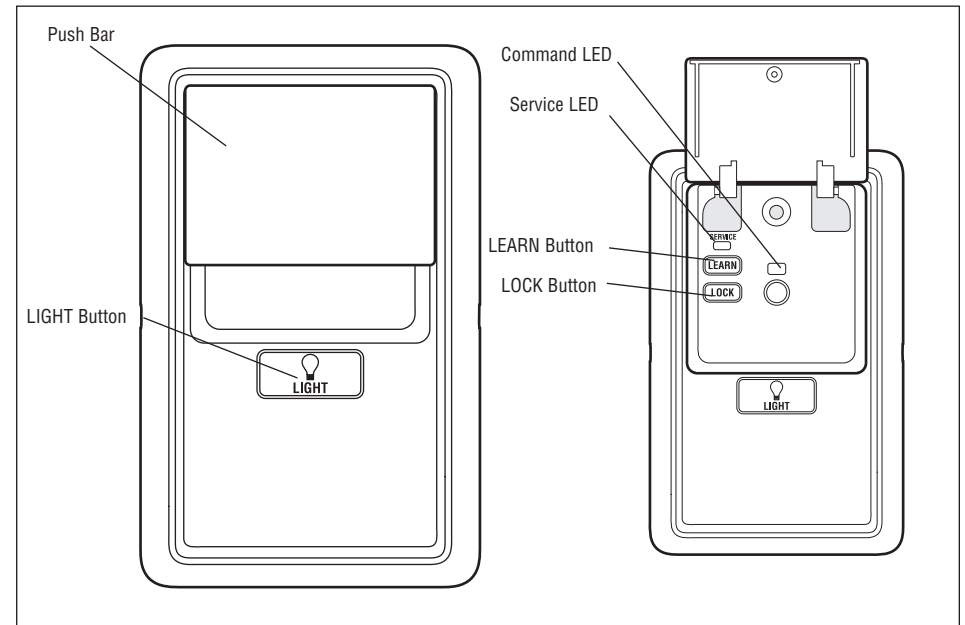
Press the push bar to open or close the door.

GARAGE DOOR OPENER LIGHTS

Press the LIGHT button to turn the garage door opener lights on or off. When the lights are turned on they will stay on until the LIGHT button is pressed again, or until the garage door opener is activated. Once the garage door opener is activated the lights will turn off after the specified period of time (the factory setting is 4-1/2 minutes). The LIGHT button will not control the lights when the door is in motion.

Light Feature

The lights will turn on when someone enters through the open garage door and the safety reversing sensor infrared beam is broken. If using the garage door opener light as a work light, turn the light on using the light button on the wall control or the light will turn off after a set amount of time.



Program

TO ADD, REPROGRAM, OR CHANGE A REMOTE CONTROL/KEYLESS ENTRY PIN

NOTE: The following steps are for standard accessories. If programming is unsuccessful, refer to your accessory or garage door opener manual for programming information.

1 Press and release the LEARN button on the door control to enter Programming Mode.

The diagram shows a close-up of the wall control unit's back panel. A finger is shown pressing the 'LEARN' button. A starburst icon next to the button indicates that it has been activated.

2 Press and release the LEARN button again, the LED will flash once.

The diagram shows a close-up of the wall control unit's back panel. A finger is shown pressing the 'LEARN' button. A starburst icon next to the button indicates that the LED has flashed once.

3a Press the button on the remote control that you wish to operate your garage door. **OR** **3b** Enter a 4-digit personal identification number (PIN) of your choice on the keyless entry keypad. Then press the ENTER button.

The diagram shows two methods for programming. On the left, a hand is shown holding a remote control and pressing one of the buttons. On the right, a hand is shown entering a 4-digit PIN on a keypad. The keypad has buttons for digits 0-9, *, #, and an 'ENTER' button. The PIN is represented by four question marks: ? ? ? ?.

The garage door opener lights will flash (or two clicks will be heard) when the code has been programmed. Repeat the steps above for programming additional remote controls or keyless entry devices.

Feature Settings

LOCK

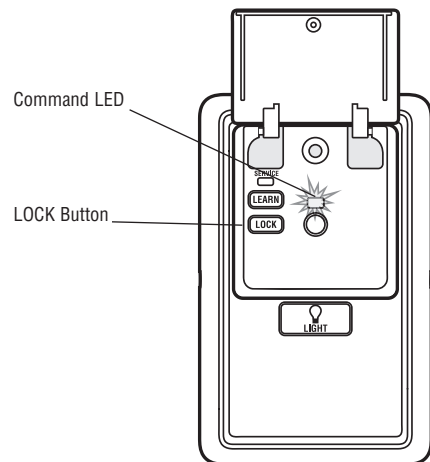
Activate:

NOTE: Your remote controls will NOT work when LOCK mode is active however your keyless entry will still allow access to your garage.

Press and hold the LOCK button for 2 seconds. The command LED will flash as long as the lock feature is activated and your handheld remote control will not operate your door at this time.

Deactivate:

Press and hold the LOCK button again for 2 seconds. The command LED will stop flashing and normal operation will resume.



LIGHT

To change the amount of time the garage door opener lights will stay on (default time is 4-1/2 Minutes):

Press and hold the LOCK button until the garage door opener lights flash.* The garage door opener lights will then indicate the current light duration by flashing up to 4 times (see table below).

NUMBER OF TIMES GARAGE DOOR OPENER LIGHTS FLASH	TIME THE GARAGE DOOR OPENER LIGHT STAYS ON
1	1 ½ Minutes
2	2 ½ Minutes
3	3 ½ Minutes
4	4 ½ Minutes

To change the light duration time repeat the steps above until the lights flashes indicate your desired time frame.

Light Feature

NOTE: Factory setting is on.

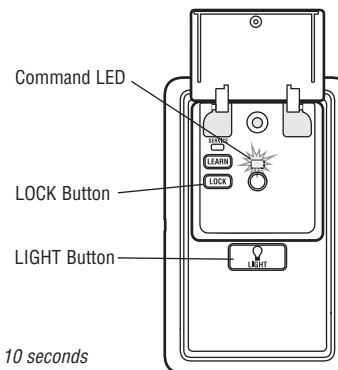
This feature will turn on the garage door opener lights when the safety reversing sensors beam has been broken.

Deactivate:

Start with the garage door opener lights off. Press and hold the LIGHT button to turn on the light, continue to hold until the light turns off.*

Activate:

Start with the garage door opener lights on. Press and hold the LIGHT button to turn off the light, continue to hold until the light turns on.*



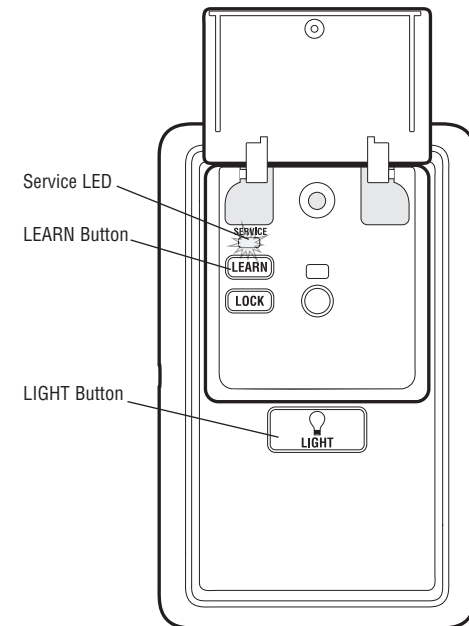
* Approximately 10 seconds

MAINTENANCE ALERT SYSTEM (MAS)

Activate/Deactivate:

NOTE: Factory setting is off.

Press and hold the LEARN button. Then press the LIGHT button. The service LED will flash the status; Activated is 2 flashes and deactivated is 3 flashes.



Warranty

ONE YEAR LIMITED WARRANTY

The Chamberlain Group, Inc. warrants to the first consumer purchaser of this product that it is free from defect in materials and/or workmanship for a period of 1 year from the date of purchase.

HOW TO ORDER REPAIR PARTS

DEVANCO CANADA

19192 HAY ROAD, UNIT Q
SUMMERSTOWN, ON K0C 2E0

TOLL FREE: 855-931-3334
www.devancocanada.com

**WHEN ORDERING REPAIR PARTS
PLEASE SUPPLY THE FOLLOWING INFORMATION:**

- ✓ PART NUMBER
- ✓ DESCRIPTION
- ✓ MODEL NUMBER