

Manual Addendum for Advanced Settings

CAUTION

After a system reset, all parameters are restored to the factory settings.

- All the required function in the initial set up and advanced settings must be re-programmed if it is required.
- The operator must be activated for two (2) complete uninterrupted cycles in order for all restored or operating parameters settings to be learned by the operator again.

General overview of the programmable functions

Level	Menu	Factory default setting
Level 1 – Basic functions system reset	Menu 3: Intermediate position OPEN	-
	Menu 8: RESET	-
Level 2 – Opener settings	Menu 1: "OPEN" position – operating (System) force	Setting 8
	Menu 2: "CLOSE" position – operating (System) force	Setting 8
	Menu 3: "OPEN" position – operating sensitivity	Setting 11
	Menu 4: "CLOSE" position – operating sensitivity	Setting 13
Level 4 – Transmitter code programming	Menu 2: Intermediate position	-
Level 5	Menu 4: Light timer	Setting 16
Level 6	Menu 3: Soft run "OPEN" position	
	Menu 8: Soft run "CLOSE" position	

Level 1: Functions overview

NOTE: Menus 1, 2 and 7 are disabled. Press "+" or "-" button to scroll or navigate through menus

Level 1	1	2	3	4	5	6	7	8	9	10	11	12	13	14	15	16
Menu 3: Intermediate position OPEN	Set using the (+ / OPEN) and (- / CLOSE) buttons															
Menu 8: RESET	No	Yes	-	-	-	-	-	-	-	-	-	-	-	-	-	-

Level 2: Functions overview

NOTE: Menus 5-8 are disabled
Press "+" or "-" button to scroll or navigate through menus.

CAUTION

The higher the sensitivity setting in menu 3 and 4, the higher the operator force capabilities or less sensitive operation.

Level 2 – Opener settings	1	2	3	4	5	6	7	8	9	10	11	12	13	14	15	16
Menu 1: "OPEN" position operator (system) operating force (scale from 1 to 16)	1	2	3	4	5	6	7	8	9	10	11	12	13	14	15	16
Menu 2: "CLOSE" position operator (system) operating force (scale from 1 to 16)	1	2	3	4	5	6	7	8	9	10	11	12	13	14	15	16
Menu 3: "OPEN" position operator sensitivity (sensitivity scale from 1 to 16)	OFF	2	3	4	5	6	7	8	9	10	11	12	13	14	15	16
Menu 4: "CLOSE" position operator sensitivity (sensitivity scale from 1 to 16)	OFF	2	3	4	5	6	7	8	9	10	11	12	13	14	15	16

Level 4 – Transmitter code programming
Menu 2: Intermediate position
LED 7 flashes slowly -> use transmitter button other than those designated for garage doors -> LED 7 flashes quickly

For more information, please visit www.devancocanada.com or call toll free at 855-931-3334

Level 5: Functions overview

Level 5 - Special Function																
	1	2	3	4	5	6	7	8	9	10	11	12	13	14	15	16
Menu 4: Operator Light "ON" Timer (in seconds)																
	2	5	10	15	20	25	30	35	40	50	80	100	120	150	180	255

Level 6: Functions overview

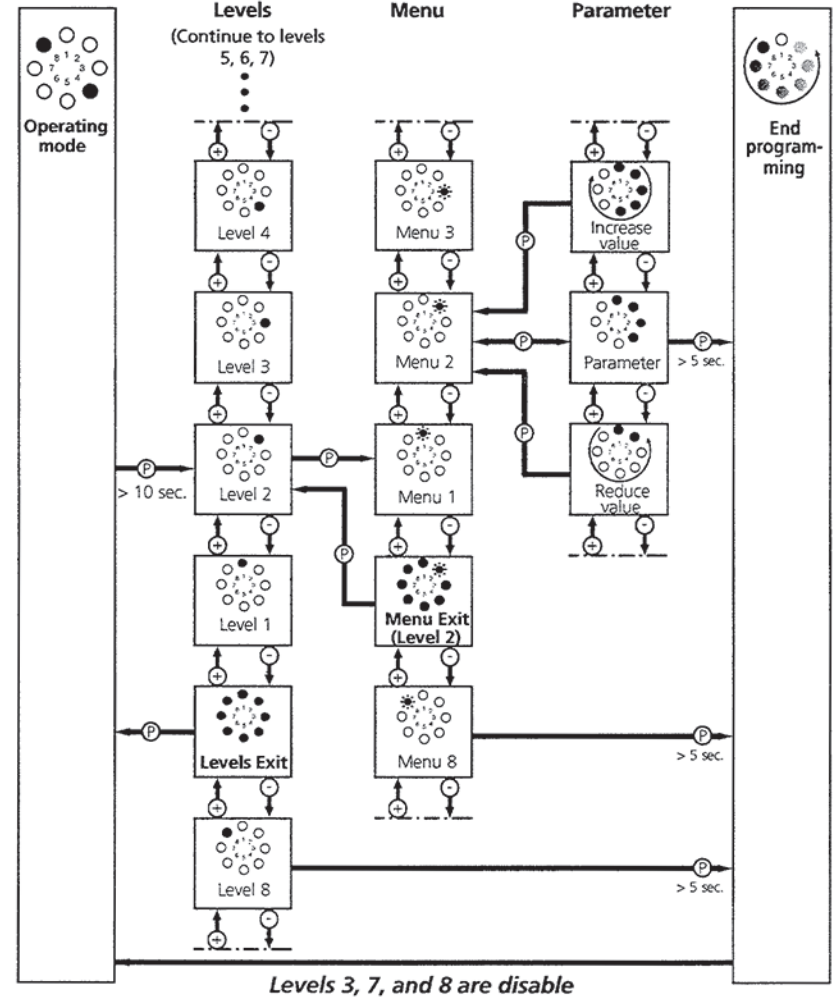
Level 6																
	1	2	3	4	5	6	7	8	9	10	11	12	13	14	15	16
Menu 3: Soft run position OPEN																
	Set using the (+ / OPEN) and (- / CLOSE) buttons															
Menu 8: Soft run position CLOSE																
	Set using the (+ / OPEN) and (- / CLOSE) buttons															

Legend:	
LED off	
LED on	
LED flashes slowly	
LED pulses	
LED flashes quickly	
Factory default setting	
Not possible	-

Advanced settings programming flow chart (Diagram illustrates: Level 2, Menu 2)

CAUTION

Additional operator functions can be set using the advanced operator functions. Parameters factory default settings can be restored. This programming may only be carried out by a professional installer.



HOW TO ORDER REPAIR PARTS

DEVANCO CANADA

19192 HAY ROAD, UNIT Q
SUMMERSTOWN, ON K0C 2E0

TOLL FREE: 855-931-3334

www.devancocanada.com

**WHEN ORDERING REPAIR PARTS
PLEASE SUPPLY THE FOLLOWING INFORMATION:**

- ✓ PART NUMBER
- ✓ DESCRIPTION
- ✓ MODEL NUMBER