

OVERVIEW

Wireless Commercial Keypads are security keypads and should be programmed to ONE operator.

The Wireless Commercial Keypad comes with one 9V Lithium battery, instructions, and two keys. A wireless signal is transmitted when a valid 4-digit PIN and the # key is pressed. A long tone will sound. The keypad backlight will illuminate for 15 seconds when any key is pressed. If an invalid PIN or partial PIN is accidentally entered, an error tone will sound. The Wireless Commercial Keypad is compatible with the brands of commercial door and gate operators listed in the table below.

MODEL	FREQUENCY AND ENCRYPTION	PIN CAPACITY
KPW5	LiftMaster Security+ 2.0® <i>Default</i> Tri-band 390 MHz, 315 MHz, and 310 MHz	Up to 5 permanent PINs and Up to 10 unique temporary PINs
KPW250	LiftMaster Security+ 2.0® <i>Default</i> Tri-band 390 MHz, 315 MHz, and 310 MHz	Up to 250 permanent PINs and Up to 10 unique temporary PINs
	LiftMaster Security+® 315 MHz	
	LiftMaster Security+® 390 MHz	
	Linear Multi-Code 300 MHz	



KPW5



KPW250

Specifications

Power	9V Lithium battery
Operating temperature range	-4°F to 140°F (-20°C to +60°C)
Storage and shipping temperature range	-40°F to 140°F (-40°C to +60°C)
Enclosure	NEMA 3R

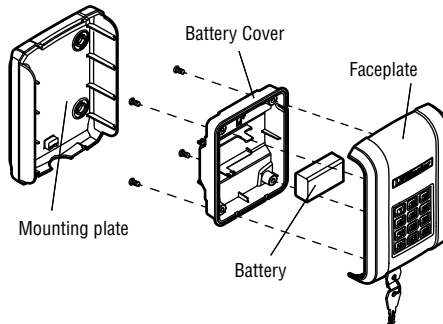
**For more information, please visit www.devancocanada.com
or call toll free at 855-931-3334**

WARNING

To prevent possible **SERIOUS INJURY** or **DEATH** from a moving gate or door:

- User activation controls **MUST** be located at least 6 feet (1.8 m) away from **ANY** moving part of the gate and where the user cannot reach over, under, around or through the gate to operate the controls.
- **ALWAYS** keep remote controls out of reach of children. **NEVER** permit children to operate or play with remote controls.
- Activate gate or door **ONLY** when it can be seen clearly, is properly adjusted, and there are no obstructions to door travel.
- **ALWAYS** keep gate or door in sight until completely closed. **NEVER** permit anyone to cross path of moving gate or door.

1. Choose a mounting location suitable for your application such as a wall, flat surface, or a pedestal with a 3" x 3" mounting pattern (LiftMaster gooseneck pedestal post models PED42 or PED64). Locate the keypad at least 6 feet (1.8 m) away from any moving part of the gate and where the user cannot reach over, under, around or through the gate to operate the controls. The mounting location needs to be in line of sight of the moving gate.
2. Unlock and remove the faceplate from the mounting plate.
3. Mount the mounting plate to the desired surface and secure with 1/4" screws or bolts (not provided).
4. Remove the battery cover using a Phillips screw driver. Install the battery (provided) and re-install inner cover.
5. Reattach the faceplate to the mounting plate and lock with the key.



BASIC PROGRAMMING

The Wireless Commercial Keypad must be put into programming mode prior to any of the programming steps below unless otherwise indicated. The keypad backlight will remain on if the product is in programming mode. While in programming mode, if an invalid code is entered, an error tone will sound, but the keypad will remain in programming mode. After 60 seconds of inactivity, the keypad will exit the programming mode. The 6-digit Master Code is used to prevent unauthorized access to the system. A Master Code is required (factory default code: 888888) to operate the Wireless Commercial Keypad. It is highly recommended to change and record your unique Master Code.

Set Master Code

Programming Step	Keystroke Combination	Indicator
1. Enter program mode	* (Master Code) #	Long tone
2. Update Master Code	09 # (New 6-digit Code) # (New 6-digit Code) #	Long tone
3. Exit Program Mode	* * #	Keypad backlight will turn off

Program a PIN

Programming Step	Keystroke Combination	Indicator
1. Enter program mode	* (Master Code) #	Long tone
2. Set new pin	01 # (New 4-digit PIN) # Repeat (new 4-digit PIN) #	Long tone
3. Exit Program Mode	* * #	Keypad backlight will turn off

NOTE: An error tone will sound if the maximum number of PINs is exceeded or if user tries to program a PIN already programmed in the memory.

PROGRAM TO OPERATOR

Program to LiftMaster Operator

NOTE: The Master Code and a PIN need to be set before the gate operator can be programmed. See Basic Programming.

KPW5 - The frequency and encryption are set at the factory. *Proceed to Step 4.*

KPW250 - The frequency and encryption are set at the factory for **LiftMaster Security+ 2.0** (tri-band 310, 315, and 390 MHz) operators. *Proceed to Step 4.*

For **LiftMaster Security+** (315 MHz or 390 MHz), the frequency and encryption need to be set. *Proceed to Step 1.*

1. Enter program mode: * (Master Code) #
2. Set frequency and encryption (KPW250 only):
 - LiftMaster Security+ 315 MHz - Press **03 # 2 #**. A long tone will sound.
 - LiftMaster Security+ 390 MHz - Press **03 # 3 #**. A long tone will sound.
 - To reset factory default - Press **03 # 1 #**. A long tone will sound.
3. Exit Program Mode: * * #.
4. **Press the Learn Button on the operator.**
5. **Within 30 seconds** - Enter a valid **4-digit PIN** then press #. A long tone will sound.

PROGRAM TO OPERATOR

Program to Linear Multi-Code Receiver

KPW250 ONLY

1. Locate the DIP switch sequence on the operator and record it. If DIP switch is in the “up” or “on” (CLOSED) position place a 1, “down” or “off” (OPEN) position place a 0 in the corresponding box in the chart below.

DIP Switch Sequence	1	2	3	4	5	6	7	8	9	10
UP / ON (CLOSED)										
DOWN / OFF (OPEN)										

NOTE: Leave any unused switch locations blank.

Write the DIP switch 10-digit sequence: _____

2. Enter program mode: *** (Master Code) #**. A long tone will sound.
3. Set Linear Multi-Code frequency and encryption: Press **03 # 4 #**. A long tone will sound.
4. Enter the DIP Switch sequence (Use ONLY **1** and **0**). Press **#**. A long tone will sound.
5. Exit Program Mode: *** * #**.
6. Press the Learn Button on the operator.
7. **Within 30 seconds - Enter a valid 4-digit PIN then press #. A long tone will sound.**

NOTE: When entering the DIP Switch sequence 3 beeps will sound if an incorrect number of entries is input.

Once an operator has been programmed, enter a valid 4-digit PIN and the # key to activate the operator.

ADDITIONAL PROGRAMMING

The Wireless Commercial Keypad must be put into programming mode prior to any of the programming steps below unless otherwise indicated.

Set Temporary PIN

A temporary 4-digit PIN can be programmed to allow access to visitors (maximum of 9 uses). The temporary PIN cannot be the same as any previously programmed PIN. The keypad will store up to 10 unique temporary PINs.

Programming Step	Keystroke Combination	Indicator
1. Enter program mode	* (Master Code) #	Long tone
2. Set Temporary PIN	05 # (New temporary 4-digit PIN) # (New temporary 4-digit PIN) # Number of uses (9 maximum) #	Long tone
3. Exit Program Mode	* * #	Keypad backlight will turn off

Delete Permanent and Temporary PIN

Programming Step	Keystroke Combination	Indicator
1. Enter program mode	* (Master Code) #	Long tone
2. Delete PIN	07 # (4-digit PIN to be deleted) # (4-digit PIN to be deleted) #	Long tone
3. Exit Program Mode	* * #	Keypad backlight will turn off

ADDITIONAL PROGRAMMING

Reset Master Code

Resetting the Master Code will not remove PINs or temporary PINs from memory and will not change the frequency and encryption type. After resetting the Master Code, the keypad will not operate any previously programmed operators until they are reprogrammed. To reset the Master Code to the factory default (888888):

1. Unlock and remove the faceplate.
2. Press and hold the RESET button on the control board for 6 seconds, a long tone sounds indicating the Master Code has been reset.

Reset Keypad

Resetting the keypad will erase the Master Code, all permanent PINs, all temporary PINs, and frequency and encryption settings. All settings will be set to factory default. After resetting, the keypad will not operate the previously programmed operators until they are reprogrammed. To reset the keypad:

1. Unlock and remove the faceplate.
2. Press and hold RESET button on the control board for 6 seconds until a long tone sounds then release.
3. Press and hold RESET button on the control board for 15 seconds, 3 long tones will sound indicating the keypad has been reset.

Lockout Mode (Default is ON)

If the keypad receives five consecutive invalid PINs, the keypad will enter lockout mode and will not accept any keypad inputs for 30 seconds. After 30 seconds, the keypad will begin accepting new inputs.

Programming Step	Keystroke Combination	Indicator
1. Enter program mode	* (Master Code) #	Long tone
2. Set Lockout mode to ON :	02 # 1 #	Long tone
3. Exit Program Mode	* * #	Keypad backlight will turn off

Programming Step	Keystroke Combination	Indicator
1. Enter program mode	* (Master Code) #	Long tone
2. Set Lockout mode to OFF :	02 # 0 #	Long tone
3. Exit Program Mode	* * #	Keypad backlight will turn off

Constant Pressure Override (CPO)

The Constant Pressure Override feature is intended to temporarily override a fault in the entrapment protection system, in order to operate the gate until the external entrapment protection device is realigned or repaired. Use the feature only in line of sight of the gate when no obstructions to travel are present. External entrapment protection devices include LiftMaster monitored photoelectric sensors and LiftMaster monitored wired and wireless safety edge sensors. Be sure to repair or replace these devices promptly if they are not working properly.

CPO is only compatible with LiftMaster 2016 UL 325 Compliant Gate Operators (with burgundy boards) that require monitored entrapment protection.

To use Constant Pressure Override:

1. Enter a valid 4-digit PIN.
2. Press and hold # for 5 seconds to enter CPO. Continue to hold # to keep the operator in motion. A continuous tone will sound until limit is met and/or # is released.
3. The operator will stop when either the operator reaches a limit or the user releases #.

BATTERY

WARNING

To prevent possible SERIOUS INJURY or DEATH:

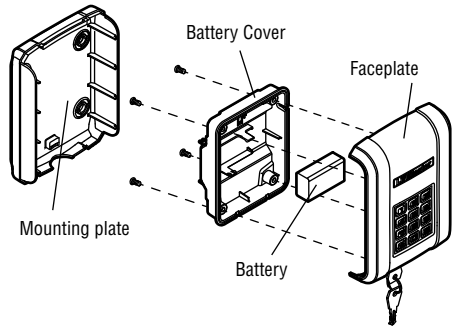
- NEVER allow small children near batteries.
- If battery is swallowed, immediately notify doctor.

To reduce risk of fire, explosion or chemical burn:

- Replace ONLY with 9V Lithium battery.
- DO NOT recharge, disassemble, heat above 212° F (100° C) or incinerate.

The 9V Lithium battery should produce power for up to 5 years. To replace the battery:

1. Unlock and remove the faceplate from the mounting plate.
2. Remove the battery cover using a Phillips screw driver.
3. Remove the old battery and install new 9V Lithium battery. Re-install inner cover.
4. Reattach the faceplate to the mounting plate and lock with the key.
5. Dispose of old battery properly.



REPAIR PARTS

PART NUMBER	DESCRIPTION
K093A0763	Mounting Plate
K107A0031	Keys

TROUBLESHOOTING

SYMPTOM	CAUSE	SOLUTION
The keypad will not program to the operator.	The keypad is programmed to the wrong frequency and encryption.	Program the keypad to match the operator's frequency and encryption (see page 3).
The backlight and tone on the keypad no longer work.	Battery may be dead.	Replace battery with 9V Lithium battery.
Key press turns on backlight but no beep.	Stuck button.	Check that all buttons are not stuck.
PIN won't learn.	PIN already learned.	Learn a new PIN. Exit Learn.
PIN won't learn.	Memory full.	Erase a PIN to add a new pin. Perform Factory Reset to erase all PINs.

ONE YEAR LIMITED WARRANTY

LiftMaster warrants to the first consumer purchaser of this product that it is free from defect in materials and/or workmanship for a period of 1 year from the date of purchase.

NOTICE: To comply with FCC and or Industry Canada rules (IC), adjustment or modifications of this receiver and/or transmitter are prohibited, except for changing the code setting or replacing the battery. THERE ARE NO OTHER USER SERVICEABLE PARTS.

Tested to Comply with FCC Standards FOR HOME OR OFFICE USE. Operation is subject to the following two conditions: (1) this device may not cause harmful interference, and (2) this device must accept any interference received, including interference that may cause undesired operation.

For more information, please visit www.devancocanada.com or call toll free at 855-931-3334

***HOW TO ORDER
REPAIR PARTS***

DEVANCO CANADA

19192 HAY ROAD, UNIT Q
SUMMERSTOWN, ON K0C 2E0

TOLL FREE: 855-931-3334

www.devancocanada.com

**WHEN ORDERING REPAIR PARTS
PLEASE SUPPLY THE
FOLLOWING INFORMATION:**

- ✓ PART NUMBER
- ✓ DESCRIPTION
- ✓ MODEL NUMBER