

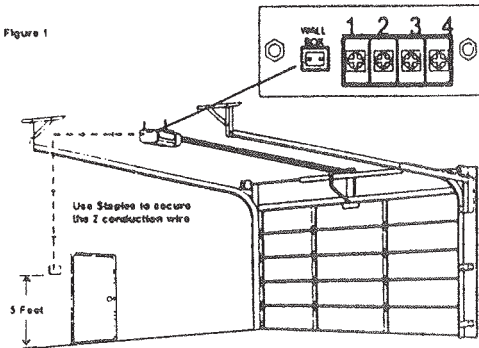


# PRO-LINE

## Lynx DELUXE 3 FUNCTION WALL STATION

### Installation Instructions

To facilitate wiring connection, between door opener & wall control station, a two-conductor bell wire with a connector at each end has been supplied. The connectors are keyed and can only be plugged in one way on the opener and on the wall box receptacle.

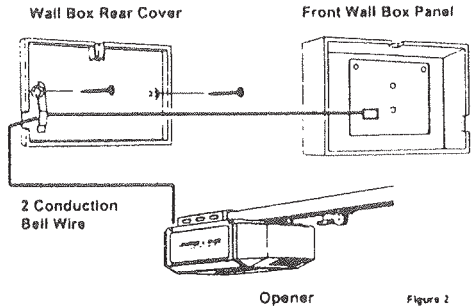


1. Connect one end of the two conductor wire plug into the operator receptacle marked "wall box" as indicated in the Figure 1.
2. Run the bell wire up and along the ceiling to the desired wall location where the wall box station is going to be located. Use insulated staples to secure the wire in several places. Be careful not to pierce the wire with staple, thereby resulting in a short.
3. Locate the wall station within sight of the door, at a minimum height of 5 feet, out of reach of children, and away from all moving parts of the door and hardware.

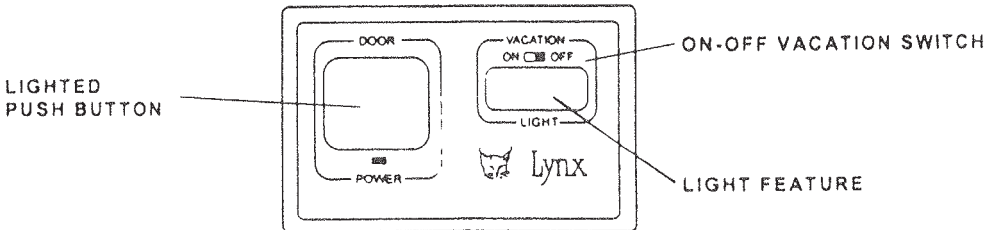
#### To Access the Wall Station Compartment

- A. Using a small screw driver, pry the rear cover compartment from the front end, grasp the front end cover, away from the rear cover.
- B. Connect the bell wire plug into the receptacle on the wall box station as shown in Figure 2.
- C. Fasten the rear cover on the wall and secure with screws and anchors provided.
- D. Snap front end cover back on rear cover and now the multifunction box is ready for operation.

Remember to affix the user safety instruction label to the wall near the door control.



#### Operation of the Deluxe 3 Function Wall Station



**LIGHTED PUSH BUTTON-** Press to open or close door. Press again to reverse the door during the closing cycle, or to stop the door while door is opening.

**LIGHT FEATURE-** Press the light button to turn the light on. press again to turn light off

**VACATION SWITCH FEATURE:** The red sliding switch in the "ON" position will prevent the opener from being activated, the microprocessor in the opener will not accept any signal from the remote control transmitter, push button, key switch or keyless entry. To turn off the vacation feature, slide the switch to the "OFF" position mode. This will allow you to activate the opener from the radio, key switch, and keyless entry.

**For more information, please visit [www.devancocanada.com](http://www.devancocanada.com) or call toll free at 855-931-3334**

***HOW TO ORDER  
REPAIR PARTS***

**DEVANCO CANADA**

19192 HAY ROAD, UNIT Q  
SUMMERSTOWN, ON K0C 2E0

TOLL FREE: 855-931-3334

[www.devancocanada.com](http://www.devancocanada.com)

**WHEN ORDERING REPAIR PARTS  
PLEASE SUPPLY THE  
FOLLOWING INFORMATION:**

- ✓ PART NUMBER
- ✓ DESCRIPTION
- ✓ MODEL NUMBER