

MODEL 3200R WIRING INSTRUCTIONS

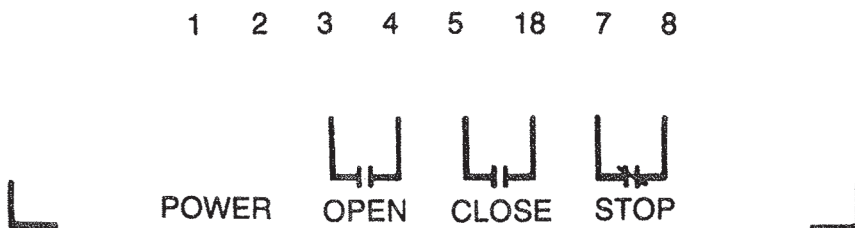
RADIO RECEIVER TERMINAL STRIP

The Model 3200R commercial receiver is provided with three isolated contacts, a normally open contact for OPEN, a normally open contact for CLOSE, and a normally closed contact for STOP. Wire these contacts identical to a 3-button station.

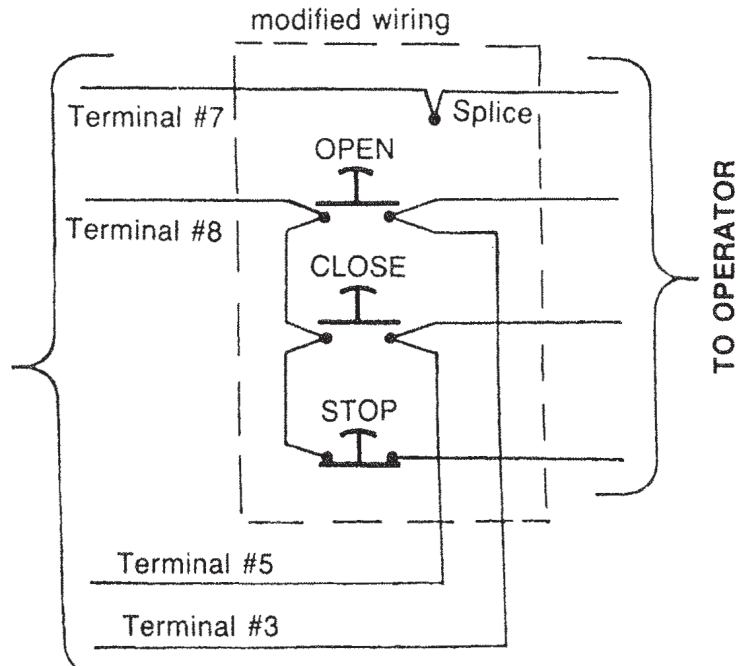
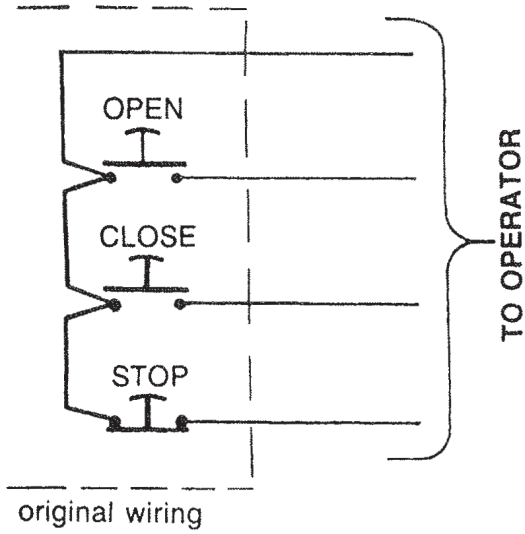
For a typical installation connect Terminal #7 to Terminal #6 and Terminal #4. Disconnect the wire from the push-button common of any 3-button station. Wire the push-button common of the 3-button station to Terminal #8. Then connect Terminal #7 to the wire removed from the push-button common. Connect Terminal #5 to the CLOSE push-button and Terminal #3 to the OPEN push-button.

To finish the installation connect 24V AC to Terminals #1 and #2, or if the radio receiver has a transformer connect 115V AC to Terminals #1 and #2.

CAUTION
24 VOLTS
AC ONLY



**For more information, please visit www.devancocanada.com
or call toll free at 855-931-3334**



For more information, please visit www.devancocanada.com
 or call toll free at 855-931-3334

***HOW TO ORDER
REPAIR PARTS***

DEVANCO CANADA

19192 HAY ROAD, UNIT Q
SUMMERSTOWN, ON K0C 2E0

TOLL FREE: 855-931-3334

www.devancocanada.com

**WHEN ORDERING REPAIR PARTS
PLEASE SUPPLY THE
FOLLOWING INFORMATION:**

- ✓ PART NUMBER
- ✓ DESCRIPTION
- ✓ MODEL NUMBER