



For more information:
www.devancocanada.com
 or call toll free at 855-931-3334

831 COMMERCIAL RECEIVER INSTRUCTIONS

MODELS:

- 831-S, 24 VAC & 115 VAC
- 831-J, 24 VAC & 115 VAC



★ PRODUCT FEATURES

831 Commercial Receivers are designed to work with most commercial door operators. The 831 is connected to the commercial operator in the same manner as a 3-button station and provides open, close and stop functions via radio control. The receiver may be powered from the operator's 24 VAC transformer or from a 115 VAC circuit. There is ample room in the 831 control box to make the proper connections. The antenna is removable and may be moved (using coaxial cable) to a new location for better RF reception.

★ IMPORTANT INSTALLATION NOTES



**TO REDUCE THE RISK OF SEVERE INJURY OR DEATH:
 READ AND FOLLOW ALL INSTALLATION INSTRUCTIONS!**

- 831 RECEIVERS ARE INTENDED FOR USE WITH COMMERCIAL DOOR OPERATORS ONLY. DO NOT USE FOR ANY OTHER PURPOSE. DO NOT MODIFY IN ANY MANNER.
- CHECK LOCAL BUILDING AND ELECTRICAL CODES FOR MANDATORY INSTALLATION AND WIRING REQUIREMENTS.
- CONNECT POWER CORDS ONLY TO A PROPERLY GROUNDED OUTLET. IF PERMANENT WIRING IS REQUIRED BY CODES, DISCONNECT POWER AT FUSE BOX OR CIRCUIT BREAKER BEFORE ATTEMPTING ANY WIRING CONNECTIONS.
- DO NOT WEAR RINGS, WATCHES OR LOOSE CLOTHING WHILE INSTALLING OR SERVICING GARAGE DOOR OPENERS. WEAR SAFETY GOGGLES OR OTHER PROTECTIVE EYEWEAR.
- AN UNBALANCED DOOR OR ONE THAT STICKS OR BINDS MAY CAUSE INJURY OR DEATH. ENSURE DOOR IS PROPERLY BALANCED AND ELIMINATE ANY STICKING OR BINDING.
- YOUR GARAGE DOOR IS A LARGE MOVING OBJECT. THE SPRINGS, PULLEYS, CABLES AND

MOUNTING HARDWARE UTILIZED TO BALANCE ITS OPERATION ARE UNDER EXTREME TENSION AT ALL TIMES AND CAN CAUSE SERIOUS PERSONAL INJURY, EVEN DEATH, IF DISTURBED. ONLY A QUALIFIED SERVICE PERSON SHOULD MOVE, LOOSEN OR ADJUST DOOR SPRINGS OR HARDWARE.

- LOCATE CONTROL PUSHBUTTONS WITHIN SIGHT OF THE DOOR AND AWAY FROM THE MOVING PARTS OF THE DOOR. INSTALL ENTRAPMENT WARNING LABEL NEXT TO THE CONTROL PUSHBUTTON IN A PROMINENT LOCATION.
- REMOVE ALL ROPES AND REMOVE OR MAKE INOPERATIVE ALL LOCKS CONNECTED TO THE GARAGE DOOR.
- THE IMPORTANT SAFEGUARDS AND INSTRUCTIONS IN THIS MANUAL CANNOT COVER ALL POSSIBLE CONDITIONS AND SITUATIONS. IT MUST BE UNDERSTOOD THAT COMMON SENSE AND CAUTION MUST BE EXERCISED BY THE PERSON(S) INSTALLING, MAINTAINING AND OPERATING THIS EQUIPMENT.

INSTALLER: Leave this manual with your customer upon completion of the installation.

★ 831 COMMERCIAL RECEIVER WIRING INSTRUCTIONS



WARNING

IMPROPER WIRING COULD CAUSE ELECTROCUTION OR DAMAGE TO CIRCUITRY. FOLLOW LOCAL BUILDING AND ELECTRICAL CODES.



WARNING

DISCONNECT POWER TO RECEIVER AND DOOR OPENER BEFORE WIRING PERMANENTLY TO PREVENT ELECTROCUTION.

The 831 receiver functions as a 3-button station. Three sets of isolated contacts are provided; normally open contacts for the OPEN PUSHBUTTON (terminals #3 & #4); normally open contacts for the CLOSE PUSHBUTTON (terminals #5 & #6); normally closed contacts for the STOP PUSHBUTTON (terminals #7 & #8). For special STOP circuit applications, normally open contacts (terminals #8 & #9) are available. Refer to Figure 1.

Typical 4-wire 3-button stations are wired as shown in Figure 2. Number 18 gauge wire or heavier must be used for wiring the control stations and the 831 receiver to the door operator. Smaller gauge wire may cause operational problems, especially when multiple 3-button stations are used. For typical installations the 831 receiver is mounted near the door operator, away from any high voltage conduits or steel support beams. For wiring, follow the steps below and refer to Figure 3.

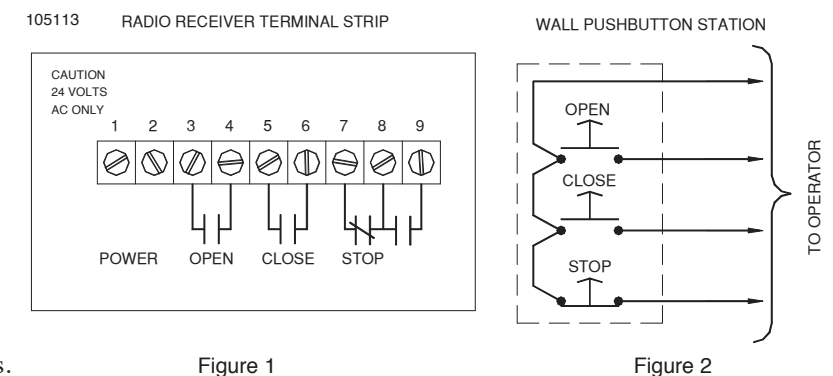


Figure 1

Figure 2

- In the 831 receiver, connect STOP terminal #7 to CLOSE terminal #6 and to OPEN terminal #4. Use short lengths of 18 gauge wire.

- In the door operator control panel, locate the wire connecting the door operator to the 3-button station COMMON. Note its location and remove. Reconnect this wire to terminal #8 in the 831 receiver.

- In the 831 receiver connect terminal #7 to the terminal in the door operator control panel identified above.

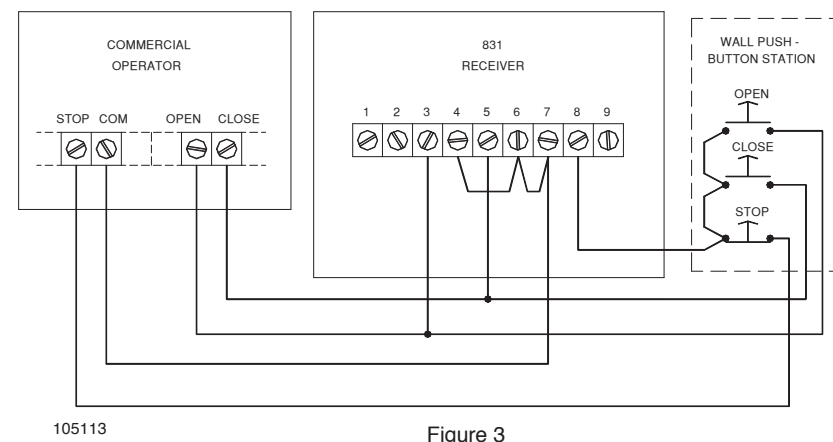
- In the 831 receiver connect terminal #5 to the CLOSE pushbutton terminal in the door operator control panel.

- In the 831 receiver connect terminal #3 to the OPEN pushbutton terminal in the door operator control panel.

- Finish the wiring by connecting the 24 VAC to terminals #1 and #2 in the 831 receiver.

FOR 115 VAC UNIT ONLY: If the 831 receiver was ordered for 115 VAC operation it has a transformer mounted on the circuit board. Connect 115 VAC to terminals #1 and #2. High voltage wires must be routed in a separate conduit from the low voltage wires.

BEFORE APPLYING POWER, CHECK ALL CONNECTIONS AND INSTALL THE ANTENNA.



105113

Figure 3



DO NOT USE RADIO CONTROLS ON COMMERCIAL DOOR OPERATORS UNLESS PROPER ENTRAPMENT PROTECTION DEVICES ARE INSTALLED. CONSULT THE MANUFACTURER OF YOUR OPERATOR FOR MORE DETAILS.

COMMERCIAL RECEIVER & TRANSMITTER CODING INSTRUCTIONS



The 831 receiver may be used with many different transmitters. The information below indicates how to set the coding switches in the various transmitters and the 831 receiver.

IF YOU ARE USING A 8831 OCS-ECONOMY OR 831 STANDARD TRANSMITTER:

Exactly match all 8 code switches in the transmitter and receiver. The code switches may be set in any random pattern of +, - and 0.

IF YOU ARE USING A 8831C OCS-ECONOMY OR 733 STANDARD TRANSMITTER:

These transmitters are used to control up to 3 different doors. This is accomplished by setting the selector switch on the transmitter to either A, B & C and setting the #6 coding switch in the 831 receiver.

Start coding by exactly matching all 8 code switches in the transmitter and the receivers. The code switches may be set in any random pattern of +, 0 and - positions. Next, in receiver A, set code switch #6 to the + position; In receiver B set code switch # 6 to the 0 position; In receiver C set code switch # 6 to the - position. The table to the right shows the switch positions.

TRANSMITTER A-B-C Selector Switch Position	RECEIVER Coding Switch #6
A	+
B	0
C	-

IF YOU ARE USING A 639 STANDARD TRANSMITTER:

This transmitter is used to control up to 9 different doors. This is accomplished by setting the selector switch on the transmitter to either 1, 2, 3, 4, 5, 6, 7, 8 or 9 and setting the #7 and #8 coding switches in the 831 receiver.

Start coding by exactly matching all 8 code switches in the transmitter and receivers. The code switches may be set in any random pattern of +, 0 and - positions. Next, in receiver 1, set code switch #7 to + and code switch #8 +; In receiver 2, set code switch #7 to + and code switch #8 to 0. Continue setting the codes in the 831 receivers as shown in the table.

TRANSMITTER 1 - 9 Selector Switch Position	831 RECEIVER Code Switch #7	831 RECEIVER Code Switch #8
1	+	+
2	+	0
3	+	-
4	0	+
5	0	0
6	0	-
7	-	+
8	-	0
9	-	-

IF YOU ARE USING A 535 STANDARD TRANSMITTER:

This transmitter is used to control up to 27 different doors. This is accomplished by setting the selector switches to either A, B or C and either 1, 2, 3, 4, 5, 6, 7, 8 or 9 and setting the #6, #7 and #8 coding switches in the 831 receiver.

Start coding by exactly matching all 8 code switches in the transmitter and receiver. Next, in receiver A1, set code switch #6 to +, set code switch #7 to + and code switch #8 to +; In receiver A2, set code switch #6 to +, set code switch #7 to + and code switch #8 to 0. Continue setting the codes in the 831 receivers, using both tables shown above.



WARNING

DISCONNECT POWER TO RECEIVER AND DOOR OPENER BEFORE WIRING PERMANENTLY TO PREVENT ELECTROCUTION.

LINEAR LIMITED WARRANTY

This Linear product is warranted against defects in material and workmanship for twelve (12) months. This warranty extends only to wholesale customers who buy direct from Linear or through Linear's normal distribution channels. Linear does not warrant this product to consumers. Consumers should inquire from their selling dealer as to the nature of the dealer's warranty, if any. There are no obligations or liabilities on the part of Linear LLC for consequential damages arising out of or in connection with use or performance of this product or other indirect damages with respect to loss of property, revenue, or profit, or cost of removal, installation, or reinstallation. All implied warranties, including implied warranties for merchantability and implied warranties for fitness, are valid only until the warranty expires. This Linear LLC Warranty is in lieu of all other warranties express or implied.

All products returned for warranty service require a Return Product Authorization Number (RPA#).



TROUBLESHOOTING NOTES

If you experience problems with the 831 Receiver, try some of the suggestions listed below before calling the Factory Technicians.

RECEIVER APPEARS DEAD; THERE IS NO RESPONSE WHEN TRANSMITTER BUTTONS ARE PUSHED.

- Check the power connections to the receiver. There must be at least 20 VAC at the receiver power connections. (If a 24V system).
- Review the code switch settings. Any mismatch will prevent the receiver from working.
- Try a different code switch setting.
- Check the antenna installation.
- Wait one minute for the receiver to "warm-up".
- Check battery in transmitter.

RECEIVER "CLICKS" WHEN ANY TRANSMITTER BUTTON IS PUSHED, BUT NOTHING ELSE HAPPENS.

- Check the wire & connections in the STOP circuit. Refer to Figure 3.
- Check the OPEN & CLOSE connections. The wire gage may be too small for the number of wall stations used.
- Check the power to the door operator.
- Check the door operator's control voltage.

SHORT DISTANCE OR INTERMITTENT OPERATION.

- Relocate the antenna with a coaxial cable.
- Metal objects too close to receiver, move to a better location.
- External interference (such as radio towers).
- Change to a different frequency.
- Stuck transmitter in building.
- Change code switches from factory settings.
- Check battery in transmitter.

ONE RECEIVER WORKS BUT THE OTHER IS DEAD.

- Relocate the antennas.
- Receivers too close together (cross-talking); move to different locations.
- Check code switch settings.

SOME THINGS TO REMEMBER:

- Range is dependent on the installation, type of building, type of door and the location of the transmitter. When these conditions change so will the distance.
- Any transmitter can interfere with operation. These include cell phones, cordless phones, wireless systems and CB and mobile transmitters. Other sources of interference include computer equipment, industrial equipment, electric motors, fluorescent lights, etc. The list is endless.
- Do not lengthen or shorten the receiver antenna. It is set to an optimal length based on the frequency of operation.
- If the antenna is blocked or shielded (such as a car traveling through a tunnel) the distance will decrease.
- Always change the Factory set codes.

HOW TO ORDER REPAIR PARTS

DEVANCO CANADA

19192 HAY ROAD, UNIT Q
SUMMERSTOWN, ON K0C 2E0

TOLL FREE: 855-931-3334

www.devancocanada.com

WHEN ORDERING REPAIR PARTS PLEASE SUPPLY THE FOLLOWING INFORMATION:

- ✓ PART NUMBER
- ✓ DESCRIPTION
- ✓ MODEL NUMBER