

# Heavy-Duty Industrial Slide Gate Operator

This new operator was intentionally built to fit the same installation footprint as the popular SL595 and the SL585 with the MRIN accessory. That means no added cost or effort to retrofit. No new concrete to pour. No new wiring. And less time to install means less cost to your customer.

**NEW!**

**IHSL24UL/  
INSL24UL**



For more information:  
[www.devancocanada.com](http://www.devancocanada.com)  
or call toll free at 855-931-3334

**LiftMaster**  
POWERED BY myQ

# New Operators, Same Install Process.



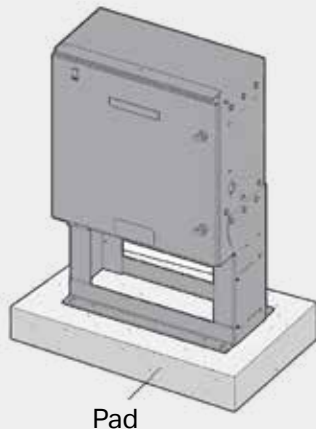
The optional riser (MRIN) makes it easy to replace an existing operator, providing multiple mounting positions and better protection from the climate.

Our new industrial heavy-duty slide gate operators have the same installation footprint as the popular SL595 and the SL585 with the MRIN accessory. This creates an efficient install that saves customers time and money. Done within the standards of UL 325, the installation process requires limited changes to location or electrical service; simply replace one unit for the other.

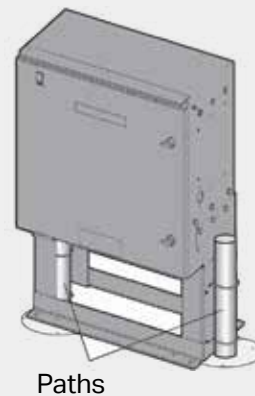
Intentionally built to make upgrading a cost effective solution. They're reliable, durable and get the job done. Now with even more added versatility when attached to the MRIN Riser Mount.

## TYPES OF INSTALLATION FOR THE MRIN

### Pad Mount Installation



### Pad Mount Installation for SL580/585 Retrofit



**For more information:**  
[www.devancocanada.com](http://www.devancocanada.com)  
or call toll free at 855-931-3334

© 2022 The Chamberlain Group LLC. All Rights Reserved | LMPAENRGINSL 6/22

LiftMaster, the LiftMaster logo, myQ and the myQ logo are registered trademarks of The Chamberlain Group LLC. UL® and the UL logo are trademarks of UL LLC © 2022 All Rights Reserved. Wi-Fi® is a registered trademark of Wi-Fi Alliance. © 2022 Bluetooth SIG, Inc. All rights reserved. Homelink® and the Homelink House® logo are registered trademarks of Gentex Corporation.

**LiftMaster**  
POWERED BY myQ