

IS40 / IS40XL

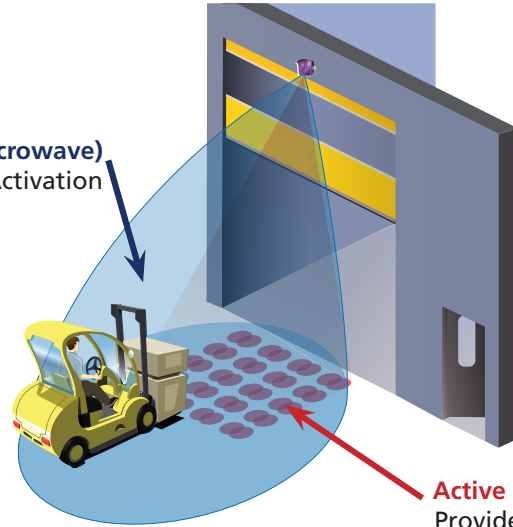
MOTION & PRESENCE SENSOR FAMILY FOR INDUSTRIAL DOORS



PRIMARY APPLICATIONS



Radar (Microwave)
Provides Activation



Active Infrared
Provides Presence

DESCRIPTION

BEA's IS40 / IS40XL are dual technology sensors designed to provide motion and presence detection in industrial applications.

The standard IS40 can be mounted from 96 to 192 inches (8 ft × 16 ft) to fit any industrial application. For lower mounting heights, BEA's IS40XL can be mounted from 78 to 138 inches (6.5 ft × 11.5 ft).

Housed in a rugged NEMA 4 rated enclosure, the IS40 / IS40XL will operate in harsh environments, capable of withstanding damage caused by wind-blown dust and rain and hose-directed water.

FEATURES & BENEFITS

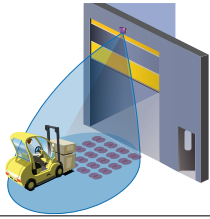
- Bidirectional, unidirectional approach and unidirectional depart microwave detection options
- Six modes of detection filtering are available for microwave immunity, as well as pedestrian and parallel traffic rejection
- Nine unique infrared patterns capable of highly flexible presence detection in any industrial environment
- Up to seven minimum object targets
- Adjustable infrared immunity modes mitigate environmental disturbances such as subtle door vibrations, light and sun
- Remote control programming enables user to quickly and safely make changes from the ground (sold separately)



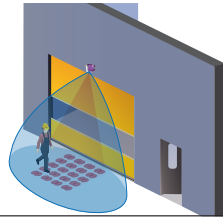
For more information:
please visit www.devancocanada.com
or call toll free at 855-931-3334

APPLICATIONS

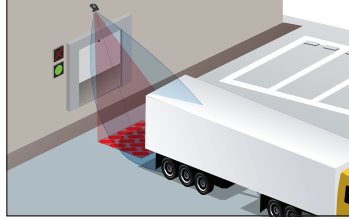
IS40: INDUSTRIAL MOUNTING HEIGHTS



IS40XL: LOWER MOUNTING HEIGHTS



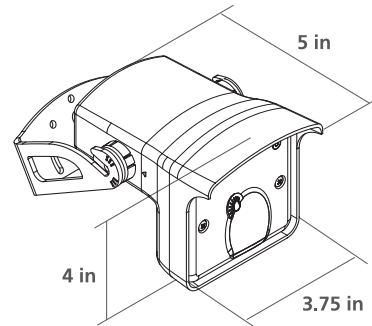
40 IR SPOTS ACCURATELY TRIGGER SIGNALS



TECHNICAL SPECIFICATIONS

Technology	Microwave Doppler Radar	Active Infrared
Detection Mode	Motion	Presence
LED Signal	Green (Activation Relay)	Red (Presence Relay)
Transmitter Frequency / Wavelength	24.150 GHz	875 nm
Transmitter Power Density	< 5 mW / cm ²	< 250 mW / m ²
Max. Detection Field		
IS40	156 in x 198 in	120 in x 120 in
IS40XL	156 in x 78 in	90 in x 90 in
Output Hold Time	0.5 s – 9 s	0.5 s
Min. Detection Speed	2 in / s in sensor axis	0 in / s
Tilt Angle	–8° – 22° (Relative to sensor face)	15° – 45°
Mains Frequency	50 – 60 Hz	
Power Consumption	< 3.5 W	
Relay Output	2 relays (free of potential change-over contact)	
Max. Contact Voltage	42 VAC / VDC	
Max. Contact Current	1 A (resistive)	
Max. Switching Power	30 W (DC) / 48 VA (AC)	
Installation Height		
IS40	96 in – 192 in (8 ft – 16 ft)	
IS40XL	78 in – 138 in (6.5 – 11.5 ft)	
Temperature Range	–22 °F – 140 °F	
Dimensions	3.75 in (W) x 4 in (H) x 5 in (D)	
Materials	ABS & Polycarbonate	
Cable Length	360 in (30 ft)	
Degree of Protection	NEMA 4 / IP65	
Norm Conformance	R&TTE: 1999 / 5 / EC; EMC 2004 / 108 / EEC	

DIMENSIONAL DRAWINGS



RELATED PRODUCTS



10IS40
MOTION & PRESENCE
SENSOR



10IS40XL
EXTRA-LOW MOTION
& PRESENCE SENSOR



10IS40P
PRESENCE SENSOR



10INDBRACKET
INDUSTRIAL
MOUNTING BRACKET



10MINIBRACKET
SHORT ADJUSTABLE
MOUNTING BRACKET



10SPOTFINDER
INFRARED
SPOTFINDER



10REMOTE
BEA UNIVERSAL
REMOTE CONTROL

For more information, please visit www.devancocanada.com or call toll free at 855-931-3334