



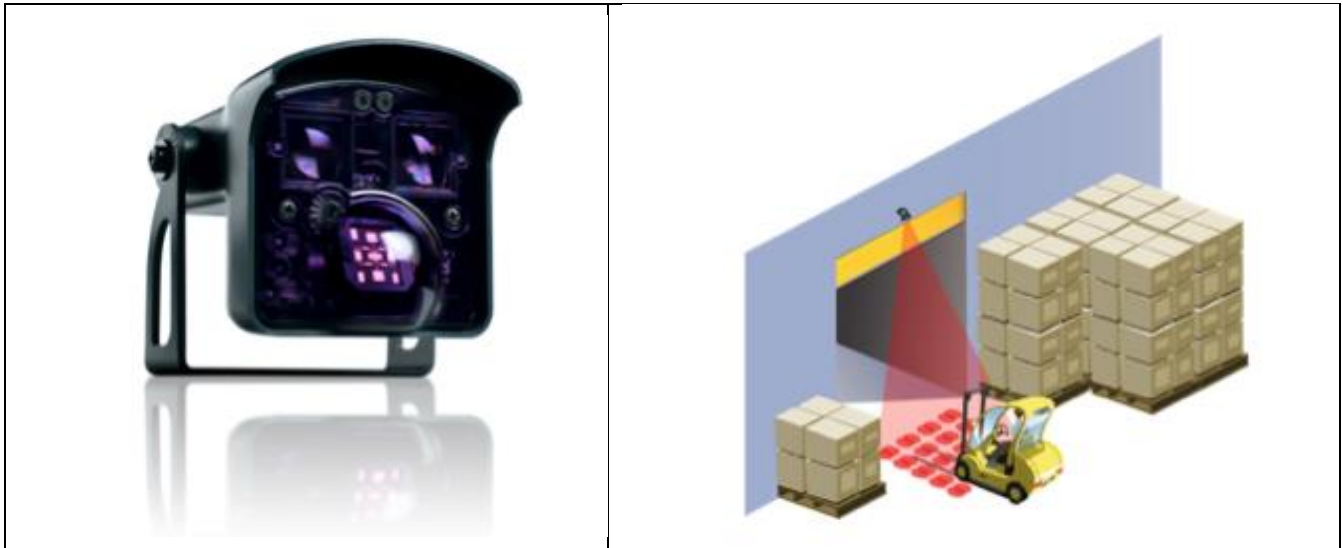
BEA ARCHITECTURAL SPECIFICATION SHEET

Industrial Door Solutions: IS40P

Product Specifications

IS40P - Active Infrared Sensor designed to detect moving and static objects. Sensor has separate outputs & multiple detection zone settings. Sensor can be mounted up to 16ft above the floor and offers a maximum pattern size of 10 ft. (120 in.)(304.8 cm) x 10 ft. (120 in.) (304.8 cm) deep. Active Infrared Sensor has adjustable learn time settings. Sensor detection zone can be adjusted through pattern configurations and angle adjustments in order to set the pattern size. Programming Remote for Set Up: NEMA 4 Enclosure: 12-24 AC/DC Power. Mounting Height: IS40P: 72 in. (182.88 cm) to 192 in. (487.68 cm).

Product image and Application Photo



**For more information, please visit www.devancocanada.com
or call toll free at 855-931-3334**



Technical Specs:

Technology	Active Infrared
LED Signal	Red (Presence Relay) Green (Activation Relay)
Radiated Frequency	875 nm
Radiated Power Density	< 250 mW/m ²
Detection Mode	Presence
Max. Detection Field (IS40)	120 in. x 120 in. (304.8 cm x 304.8 cm)
Max. Detection Field (IS40xl)	90 in. x 90 in. (228.6 cm x 228.6 cm)
Output Hold Time	0.5 sec.
Minimum Target Speed	0 in/sec
Radar Angle / Sensor angle	15°, 30°, 45°
Sensor Tilt Angle	15° to 45°
Supply Voltage	12 to 24 VAC ±10% 12 to 24 VDC +30% / -5%
Main Frequency	50 to 60 Hz

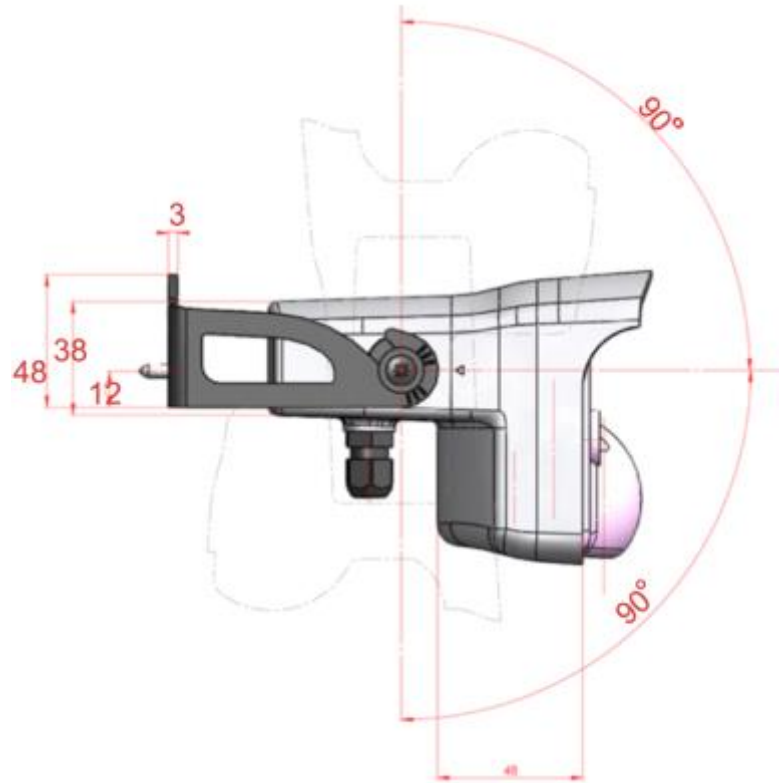
Power Consumption	< 3.5 W
Relay Output Max. Voltage Max. Current Max. Switching Power	2 Relays with switch-over contact (voltage free) 60 VDC / 125 VAC 1A (resistive) 30W (DC) / 60VA (AC)
Installation Height	IS40: 96 in. – 192 in. (243.84 cm – 487.68 cm) IS40XL: 78 in. – 138 in. (198.12 cm – 350.52 cm)
Temperature Range	-22°F to +140°F (-30°C to 60°C)
Protection Degree	NEMA 4 / IP65
Norm Conformity	Electromagnetic compatibility (EMC) according to 2004/108/EEC, R&TTE: 1999/5/EC
Dimensions (D×W×H)	5 in. × 4 in. × 3.75 in. (12.7 cm x 10.16 cm x 9.53 cm)
Material: Housing / Face	Black / Transparent Purple
Cable Length	384 in. (975.36 cm)



Dimensions:

5 in. D × 4 in. W × 3.75 in. H





**For more information, please visit www.devancocanada.com
or call toll free at 855-931-3334**