

Models # MWT12, # MWTA12, # MWR12,
#MWRT12, # MWRTA12,

Universal - Wireless Transmitter/Receiver

Applications

- **Electric Sensing Edges**
- **Air-Wave Sensing Edges**
- **Pneumatic Sensing Edges**

The Miller Edge Model MWTA12 and MWT12 safety edge transmitters are designed to provide wireless signal transmission from the safety edge to the motor controls. They are easily mounted and wired to the gate or door edge sensor. When the sensing edge comes into contact with an obstruction, a closed circuit signal is created and is sent to the transmitter. The transmitter relays the information to the receiver and the receiver passes the signal along to the operator motor. The gate or door stops movement and will then reverse the direction of travel.

The Model MWTA12 is available with an Audible Alarm feature that activates when the battery is running low and needs to be replaced.

Both models of the transmitter come standard with a NEMA 4 weather-proof enclosure. The enclosure can be easily mounted with the four mounting holes and screws provided.

Both the Miller Edge receiver and transmitter have a compact design, which allows for easy trouble shooting via the see-thru case. Selectable features include: coded dip switches and a wire harness for relay options.

Model Numbers:

MWR12 - Single Channel Receiver

MWT12 - Single Channel Transmitter

MWTA12 - Single Channel Transmitter
with Low Battery Alarm

Kits:

MWRT12 - includes MWR12 and MWT12

MWRTA12 - includes MWR12 and MWTA12



Model #MWR12
Receiver



MWT12 Transmitter

MWTA12 Transmitter w/Alarm

For more information, please visit www.devancocanada.com
or call toll free at 855-931-3334

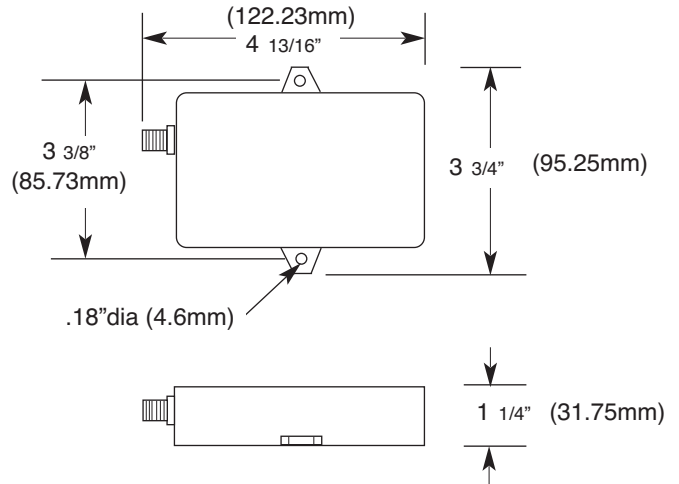


General Specifications

Model #MWR12 Receiver

(Intended for indoor use or inside a water resistant enclosure)

Enclosure Material: Polycarbonate
 Enclosure Color: Smoke
 Mounting: 2 side flanges - (See Diagram)
 Operating Frequency: 318 MHz
 Modulation: On Off Keying
 Code: Tri-state, Fixed, 1 of 19683 codes
 Power Requirements: 10 to 40 VDC, 10-30 VAC (RMS)
 Power Consumption: 60 mA (avg.) with Relay Off
 140 mA (avg.) with Relay On
 Output: Dry Relay Contact, N/O & N/C 1A@60 VAC
 Antenna: Attached, 18" #22AWG PVC insulated and
 Female F connector (grounded shell)
 Weight: 4.6 Ounces
 Connections: Wire, #22AWG, Red = Power Input, Black = Power Ground
 White = Relay Common, Orange = Relay Normal Closed
 Yellow = Relay Normal Open
 Indicators: Green LED = Power On, Red LED = Relay Active (address decoded)
 Address Decode Switch: 9 position, tri-state, DIP
 (19,683 programmable receiver codes)
 Storage Temperature: -40°F to +140°F (-40°C to +60°C)
 Operating Temperature: -4°F to +140°F (-20°C to +60°C)
 Maximum Operating Distance: 100 Feet (Optimal Conditions)
 Electrical Configuration: Optional N/O or N/C

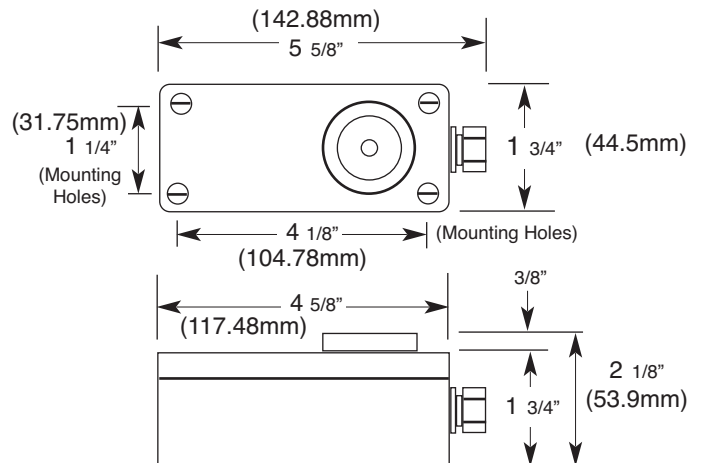


Response Time: Initial Power-On to Idle: 45 msec.
 System Response Time: Transmitter Input to Receiver
 Relay Output: Nominal 60 msec.
 (Good Receiver Signal Strength, No Interference)

Model #MWTA12

Transmitter with Audible Alarm

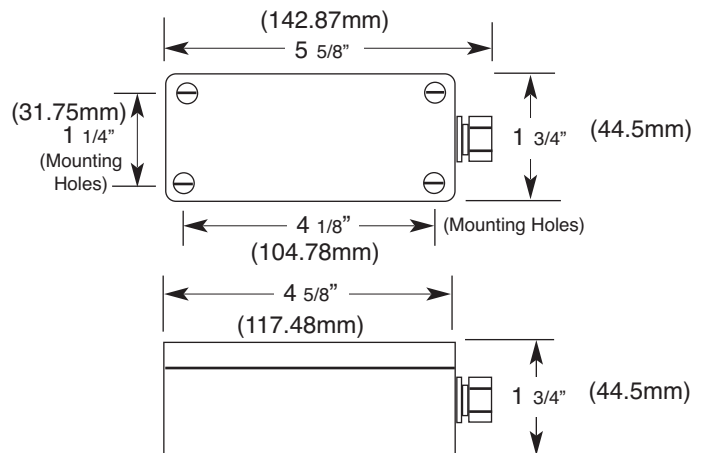
Enclosure Material: Polycarbonate
 Enclosure Color: Black
 Enclosure Rating: NEMA 4 including cable fitting
 Weight: 7.2 Ounces
 Response Time: Nominal 30 msec.
 Operating Temperature: -4°F to 140°F (-18°C to 60°C)
 Operating Frequency: 318 Mhz.
 Maximum Operating Distance: 100 Feet (Optimal Conditions)
 Power: (2) 1.5 Volt AA Lithium Battery
 Audible Alarm: Included for monitoring the life cycle
 of the battery. Alarm is 80-95 dB at 2'
 Transmitted Signal Duration: 4 to 5 seconds
 Mounting: #6 self drilling screws included
 Special Features: 19,683 programmable transmitter codes



Model #MWT12

Transmitter without Audible Alarm

Enclosure Material: Polycarbonate
 Enclosure Color: Black
 Enclosure Rating: NEMA 4
 Weight: 6.4 Ounces
 Response Time: Nominal 30 msec.
 Operating Temperature: 0°F to 130°F (-18°C to 55°C) (Alkaline Battery)
 Operating Frequency: 318 Mhz.
 Maximum Operating Distance: 100 Feet
 Power: (2) 1.5 Volt AA Alkaline Batteries
 Audible Alarm: Not available in this model
 Transmitted Signal Duration: 4 to 5 seconds
 Mounting: #6 self drilling screws included
 Special Features: 19,683 programmable transmitter codes



MWR12-MWT12-MWTA12_Spec_20140821

For more information, please visit www.devancocanada.com
 or call toll free at 855-931-3334