

FEATURES

INDIVIDUAL CODES: Each user can choose from one of 100,000 four or five digit codes.

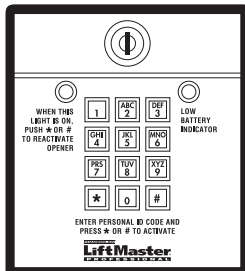
OPERATION: Opener activates when a valid 4 or 5 digit code is entered and either * or # is pressed. If wrong numbers are pressed, correction can be made immediately. Only the last five numbers entered are transmitted when the * or # key is pressed.

SAFETY: While keypad lights are on, opener can be stopped or reversed by pressing the * or # key. No need to reenter your code.

COMPATIBILITY: Can be used with any "smart" receiver.

CODE FORMAT: Can operate either as a "billion code" (green test light) remote control or a keyless entry.

POWER: Alkaline 6V lantern battery.



⚠ WARNING

To prevent possible **SERIOUS INJURY** or **DEATH** from a moving gate or garage door:

- Install keyless entry control within sight of the garage door, out of reach of children at a minimum height of 5 feet (1.5 m), and away from ALL moving parts of door.
- ALWAYS keep remote controls out of reach of children. NEVER permit children to operate or play with remote control transmitters.
- Activate gate or door ONLY when it can be seen clearly, is properly adjusted, and there are no obstructions to door travel.
- ALWAYS keep gate or garage door in sight until completely closed. NEVER permit anyone to cross path of moving gate or door.

INSTALLATION

NOTE: All installations must be performed by qualified personnel.

Select a mounting location within reach of drivers or other users of the system.

- Open keypad using key latch and remove battery.
- Hold keypad firmly against mounting location and mark hole locations (Figure 1). Use only those three holes. Make sure that mounting surface covers all holes in back of box. Fasten securely with screws.
- Reinstall battery and attach wires to battery terminals: black to (-) and red to (+) (Figure 2).

CODE FORMATS

The keypad can transmit in either "billion code" (green test light) or keypad (compatible with a 66LM) mode. Most LiftMaster receivers will store only one keypad code. It is shipped in "billion code" mode.

To switch to keypad mode:

- Open the box using the key latch.
- Locate the option jumper (Figure 3).
- Move it to the "KEY" position.

SETTING THE CODES

You will need someone to help at this point. Ask each user to choose a four or five digit password. **NOTE:** With the keypad code format, only four digit codes may be used.

Press the selected code digits and press and hold the * or # key. Then press the "smart" button on the receiver. The adjacent indicator light will flash. Now the receiver has learned the selected code.

BATTERY

The 6V battery should power the unit for at least 2 years. As long as there is adequate power, the keypad will illuminate and the receiver will operate. When the red low battery indicator light blinks or if the keypad doesn't illuminate, replace the battery with an ALKALINE 6V lantern battery.

FIGURE 1

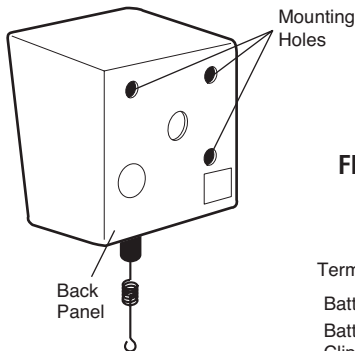


FIGURE 2

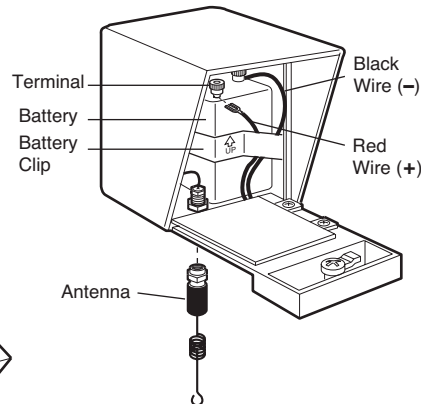
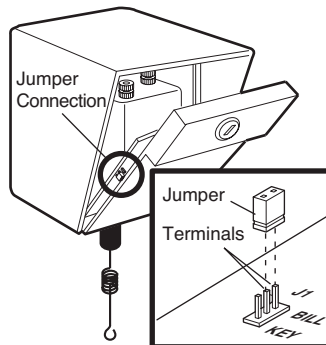


FIGURE 3



REPLACEMENT PARTS

Antenna	161A21
6V Battery	10A21

For more information, please visit www.devancocanada.com or call toll free at 855-931-3334

HOW TO ORDER REPAIR PARTS

DEVANCO CANADA

19192 HAY ROAD, UNIT Q
SUMMERSTOWN, ON K0C 2E0

TOLL FREE: 855-931-3334
www.devancocanada.com

**WHEN ORDERING REPAIR PARTS
PLEASE SUPPLY THE FOLLOWING INFORMATION:**

- ✓ PART NUMBER
- ✓ DESCRIPTION
- ✓ MODEL NUMBER