

MULTI FUNCTION REMOTE CODING INSTRUCTIONS

STANLEY PROGRAMMING INSTRUCTION FOR 49477

⚠ WARNING: KEEP REMOTE CONTROLS OUT OF THE REACH OF CHILDREN AT ALL TIMES. THE DOOR MAY OPERATE DURING THE NEXT STEPS. KEEP DOOR PATHWAY CLEAR.

Before each handheld remote will operate, the power unit must "LEARN" the code each is sending. Simply follow the next steps to code each remote to operate your garage door opener power unit.

A. Press and release the Remote "R" button located on the rear of the power unit. The red LED indicator above the Remote "R" button and lights on the power unit will come on, indicating the power unit is now in the LEARN mode. See Figure 1. **Note:** Some power units have a "LEARN" button instead of a Remote "R" button.

B. While standing near the back of the power unit, press the button on the remote you wish to use to operate the garage door. The lights on the power unit will blink two times then turn off. See Figure 2.

C. Press this SAME button on the remote again. This will activate the door opener.

D. The power unit must LEARN each remote separately. To code additional remotes, simply repeat steps A through C for each remote.

E. If you get confused or out of sequence, just wait 30 seconds. The light will turn off ending the LEARN mode and allowing you to start over.

F. If you HOLD the Remote "R" button on the rear of the power unit for 10 seconds, the lights will blink six (6) times then turn off. ALL codes will be erased. See Figure 3.

LIGHT CONTROL

If you program a second button on the same remote to the same door opener by repeating steps A through C, it can be used to turn the power unit lights ON and OFF as long as the door is not moving.

FCC Radio Usage Limitations

CAUTION: The garage door operator and all accessory radio equipment have been designed to Federal Communications Standards for Part 15 radio devices. Operation of this device is subject to the following conditions: (1) This device may not cause harmful interference; (2) This device must accept any interference that may be received, including interference that may cause undesired operation; (3) Changes or modifications not expressly approved by the manufacturer, could void the authority of users to operate this equipment.

DOC Radio Usage Limitations

This device complies with the requirements of the Department of Communications (DOC), Canada, as specified in document RSS-210. The device is permitted only on a no-interference no-protection basis, that is, it must cease operation when it is determined (such as by turning the device on and off) that it causes harmful interference to services authorized by DOC. Authorized services are listed in the Canadian Table of Frequency Allocations or as determined by DOC from time to time. Also the operator must accept any radio interference received, including interference that causes undesired operation of the device.

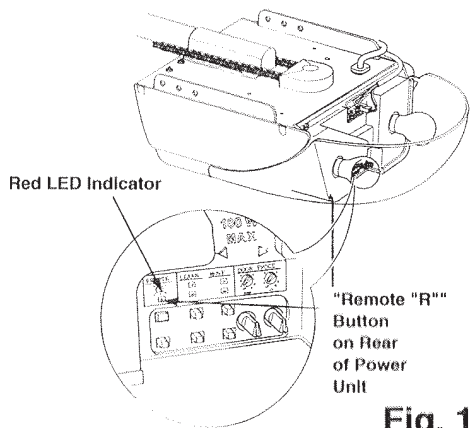
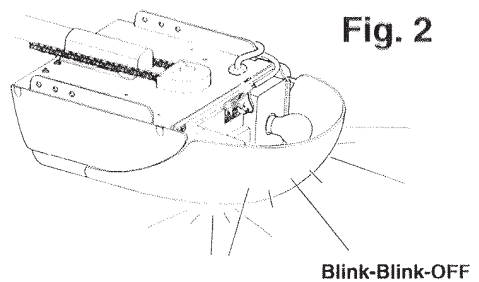


Fig. 1



Blink-Blink-OFF

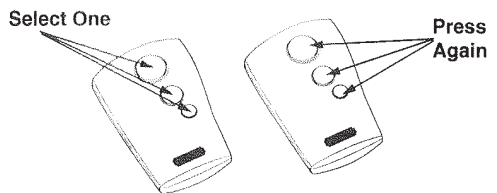
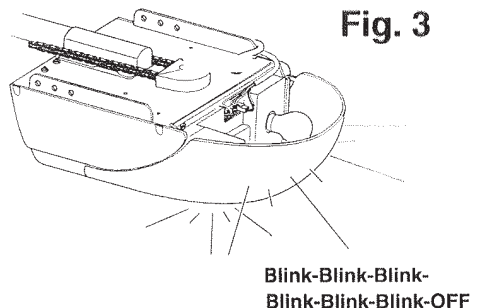


Fig. 3



Blink-Blink-Blink-Blink-Blink-Blink-OFF

FOR MORE INFORMATION, PLEASE VISIT WWW.DEVANCOCANADA.COM OR CALL TOLL FREE AT 855-931-3334

***HOW TO ORDER
REPAIR PARTS***

DEVANCO CANADA

19192 HAY ROAD, UNIT Q
SUMMERSTOWN, ON K0C 2E0

TOLL FREE: 855-931-3334

www.devancocanada.com

**WHEN ORDERING REPAIR PARTS
PLEASE SUPPLY THE
FOLLOWING INFORMATION:**

- ✓ PART NUMBER
- ✓ DESCRIPTION
- ✓ MODEL NUMBER