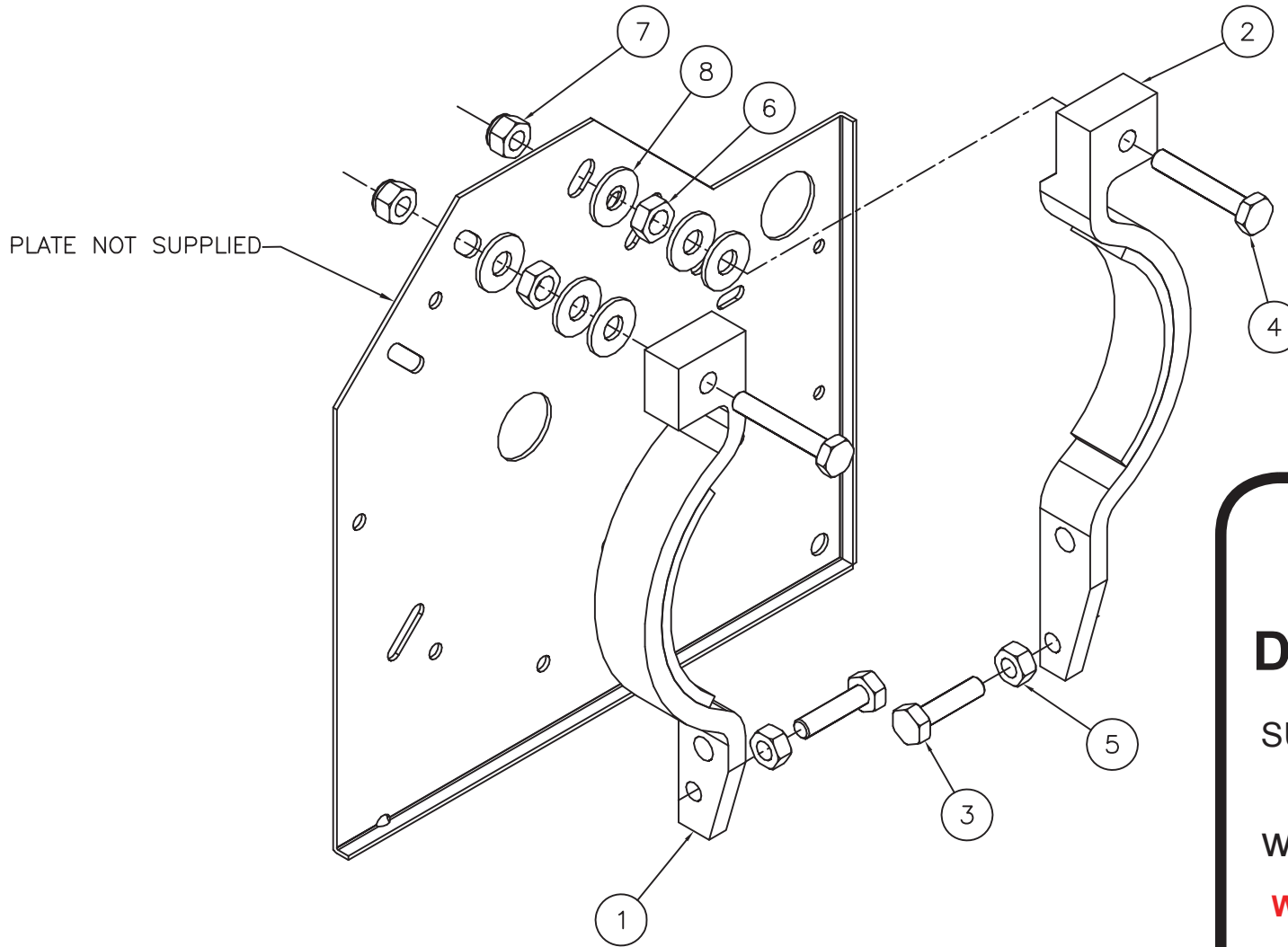


PARTS IDENTIFICATION				
#	QTY	DESCRIPTION	# MANARAS	REV
1	1	BRAKE SHOE RIGHT STANDARD	SHOE001	A
2	1	BRAKE SHOE LEFT STANDARD	SHOE002	A
3	2	HEX HD BOLT 250-20 UNC X 1.0	BOLT004	.
4	2	HEX HEAD BOLT 1/4 X 1-1/2	BOLT008	.
5	2	NUT .250-20 UNC	NUT006	.
6	2	HEX NUT 5/16 ZC	NUT007	.
7	2	INSERT NYLON NUT .250-20 UNC	NUT020	.
8	6	FW 5/16BS1/499(.312X.734X.065)	WASHER007	.



## BRAKEPART018 DRAWING

### HOW TO ORDER REPAIR PARTS

## DEVANCO CANADA

19192 HAY ROAD, UNIT Q  
SUMMERSTOWN, ON K0C 2E0

TOLL FREE: 855-931-3334  
[www.devancocanada.com](http://www.devancocanada.com)

WHEN ORDERING REPAIR PARTS  
PLEASE SUPPLY THE  
FOLLOWING INFORMATION:

- ✓ PART NUMBER
- ✓ DESCRIPTION
- ✓ MODEL NUMBER

For more information:  
[www.devancocanada.com](http://www.devancocanada.com)  
or call toll free at 855-931-3334