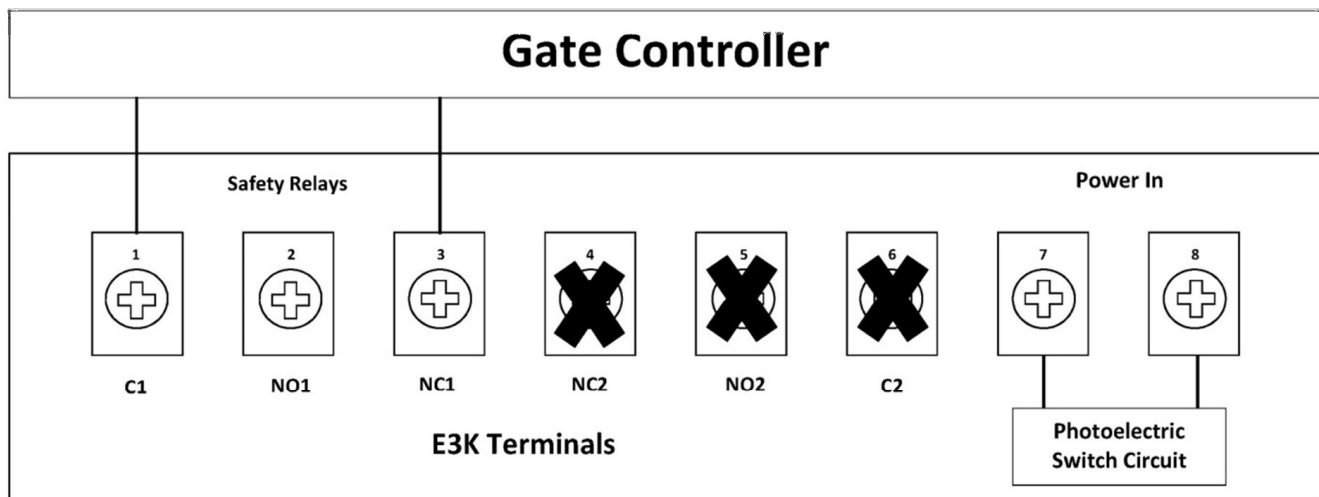


WIRING DIAGRAMS

UL325-2018: 10K RESISTOR METHOD ONLY

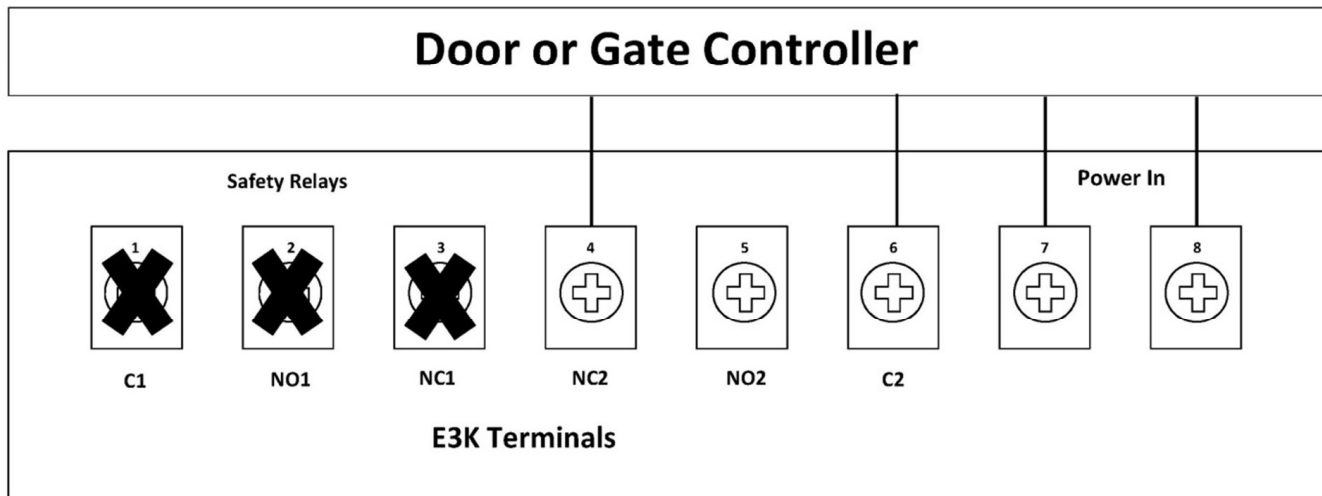


Wiring a 10K Resistor in the E3K

1. Connect Power Wires to Terminal 7 and 8
2. Connect Safety Relay to Terminals 1 (C1) and 3 (NC1)
3. Light On / Dark On Switch (Upper Right Corner) – Switch to "Light ON"
4. **DO NOT** Use Terminals 4, 5 or 6
5. Adjust Sensitivity Switch (Upper Left Corner) to Maximum

WIRING DIAGRAMS

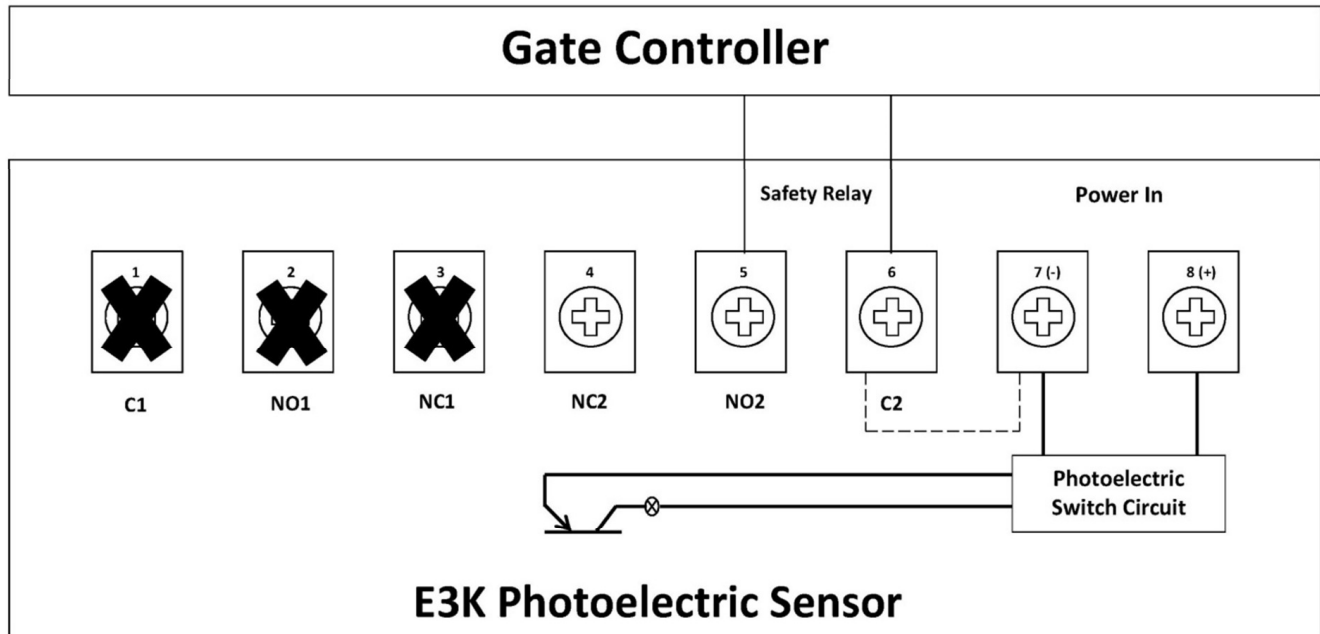
TRADITIONAL NON-MONITORED (OLD STYLE - DRY CONTACT)



1. Connect Power Wires to Terminal 7 and 8
2. Connect Safety Relay to Terminals 4 (NC2) and 6 (C2)
3. Light On / Dark On Switch (Upper Right Corner) – Switch to "Light ON"
4. **DO NOT** Use Terminals 1, 2 or 3
5. Adjust Sensitivity Switch (Upper Left Corner) to Maximum

WIRING DIAGRAMS

UL325-2018: NORMALLY CLOSED (NC) METHOD ONLY



1. Connect Power to Terminals 7 (- Negative) and 8 (+ Positive)
2. Connect Safety Relay to Terminals 5 (NO2) and 6 (C2)
3. Run a Jumper from Terminals 6 (C2) and 7 (-)
4. Light On/ Dark On Switch (Upper Right Corner) – Switch to “Light ON”
5. **DO NOT** Use Terminals 1, 2 or 3
6. Adjust Sensitivity Switch (Upper Left Corner) to Maximum