

APPLICATION

This device is for use ONLY on LiftMaster Commercial Door Operators. Use on other than recommended equipment voids warranty, and may cause PROPERTY DAMAGE or SERIOUS PERSONAL INJURY.

INSTALLATION

1. Disconnect power from the operator.
2. Remove electrical box cover.
3. Connect coaxial cable to "AUX ANT" on logic board.
4. Remove the nut and washer from the coaxial cable and route the cable through side wall of electrical box.
5. Secure the cable by re-installing the washer and nut.
6. Connect antenna to coaxial connector on the outside of the electrical box.
7. Cut the purple antenna wire from the logic board.
8. Replace cover.
9. Reconnect power. Test the system.

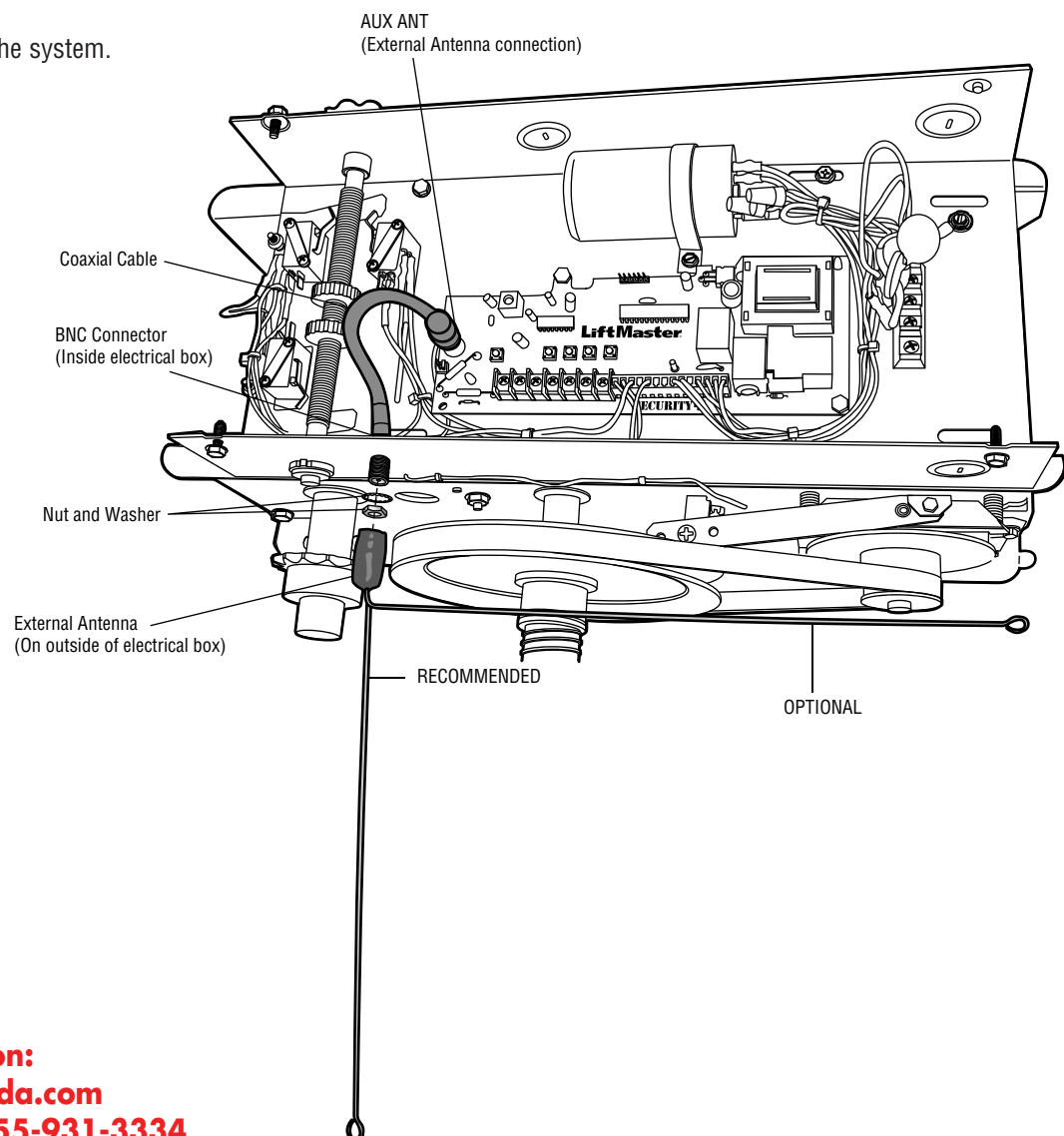
WARNING

To reduce the risk of SERIOUS INJURY or DEATH:

- Disconnect electric power at the fuse box BEFORE proceeding.
- ALL electrical connections MUST be made by a trained door systems technician.
- Upon completion of kit installation, the area MUST be cleared and secured. At that time the unit may be returned to service.



WARNING: This product can expose you to chemicals including lead, which are known to the State of California to cause cancer or birth defects or other reproductive harm. For more information go to www.P65Warnings.ca.gov



For more information:
www.devancocanada.com
or call toll free at 855-931-3334

***HOW TO ORDER
REPAIR PARTS***

DEVANCO CANADA

19192 HAY ROAD, UNIT Q
SUMMERSTOWN, ON K0C 2E0

TOLL FREE: 855-931-3334

www.devancocanada.com

**WHEN ORDERING REPAIR PARTS
PLEASE SUPPLY THE
FOLLOWING INFORMATION:**

- ✓ PART NUMBER
- ✓ DESCRIPTION
- ✓ MODEL NUMBER