



INSTALLATION INSTRUCTIONS FOR HEATER KITS 65-18300 & 65-19084

APPLICATION REQUIREMENTS:

This instruction is available for SL540, SL570, SL590, SL1000, SW470, SW490, SW2000, BG770, BG790 and BG3000 operators.

PARTS LIST:

Unpack kit to verify the parts listed below are included.

PART NUMBER	DESCRIPTION	QUANTITY
01-18328	INSTRUCTION SHEET	1
10-18344	BG790 HEATER PLATE	1
21-15453-1	100VA TRANSFORMER (USED IN KIT #65-19084 ONLY)	1
50-18423	HEATER	1
77-19086	HARDWARE PACKAGE (USED IN KIT #65-18300 ONLY)	1
77-19088	HARDWARE PACKAGE (USED IN KIT #65-19084 ONLY)	1
96-164SO	LINE CORD W/#14 GA. WIRES, BLACK	48"

For more information:
www.devancocanada.com or call toll free at 855-931-3334

INSTALLATION INSTRUCTIONS FOR SL540/570

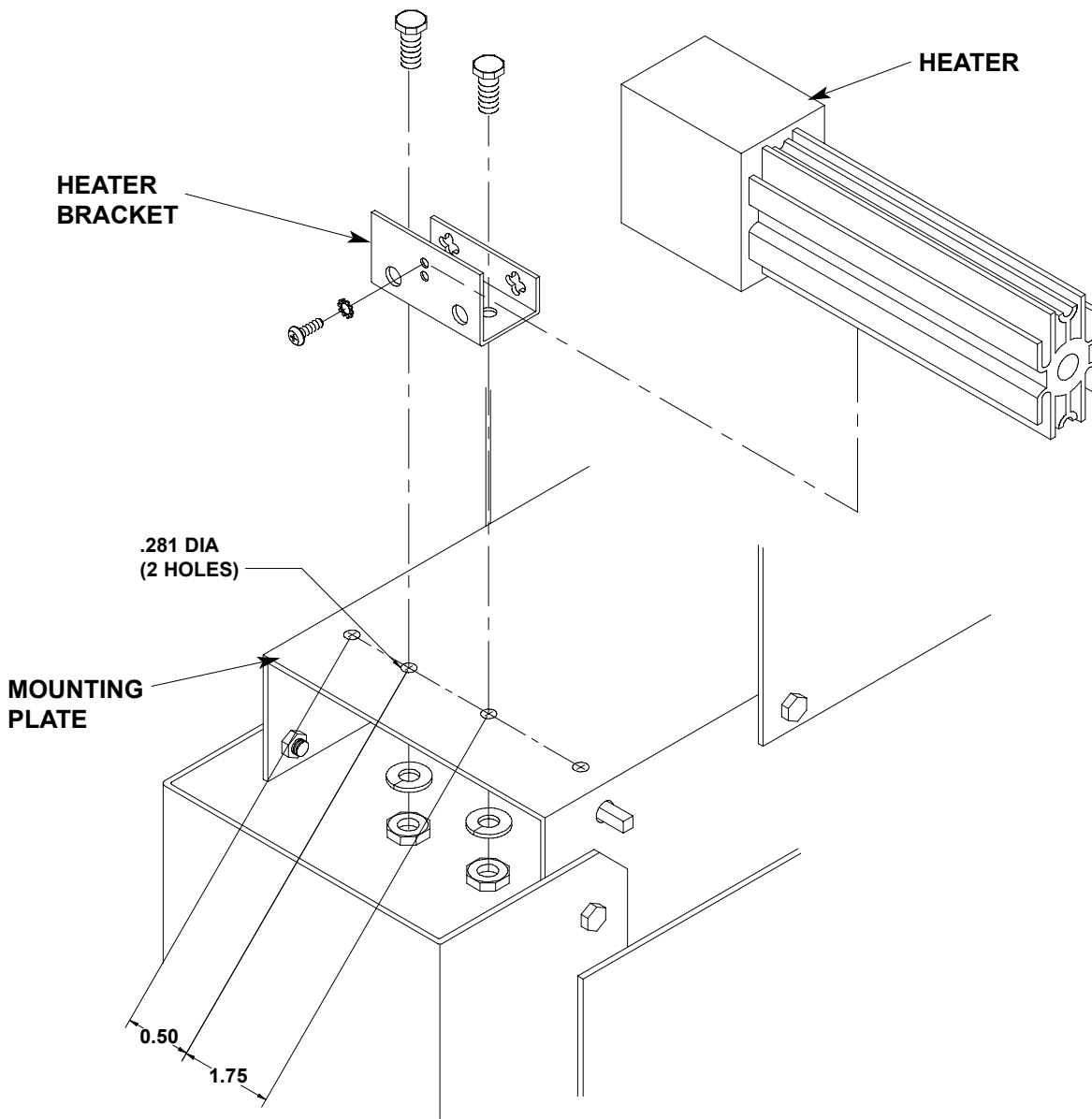
Installation of Heater Kit for SL540/570:

1. If missing, drill 2 holes in Mounting Plate opposite side of where Motor lies as shown below.
2. Mount Heater Bracket to Mounting Plate.
3. Attach Heater to Bracket by sliding the heater's fin in between the washer and Bracket.
4. Make Wire Connections (See pages 11 & 12 for Wiring Diagrams).



WARNING

TO AVOID SERIOUS PERSONAL INJURY OR DEATH FROM ELECTROCUTION, DISCONNECT ELECTRIC POWER TO OPERATOR BEFORE INSTALLING.



INSTALLATION INSTRUCTIONS FOR SL590

Installation of Heater Kit for SL590:

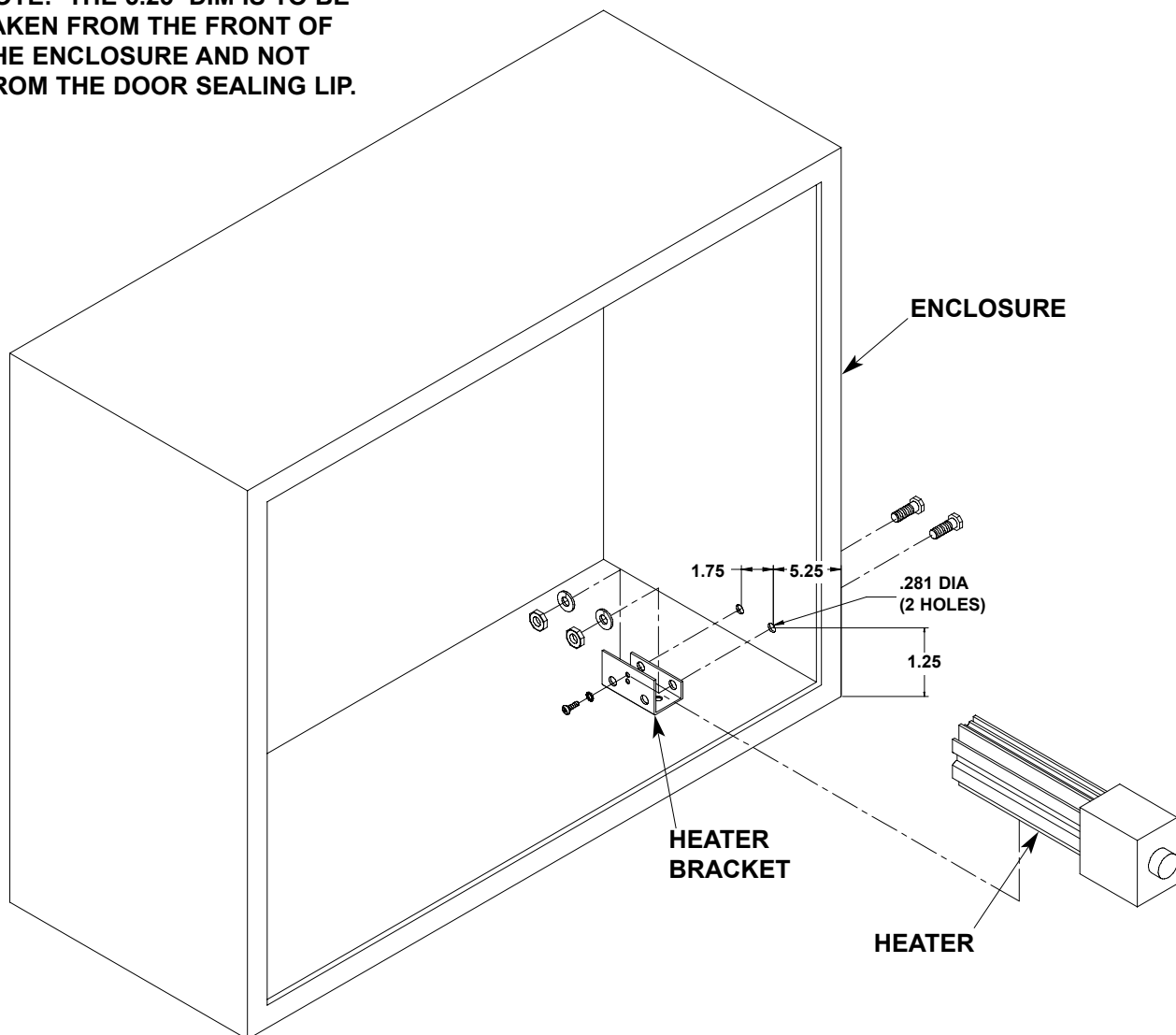
1. If missing, drill 2 holes in Enclosure as shown below.
2. Mount Heater Bracket to Enclosure.
3. Attach Heater to Bracket by sliding the heater's fin in between the washer and Bracket.
4. Make Wire Connections (See pages 11 & 12 for Wiring Diagrams).



WARNING

TO AVOID SERIOUS PERSONAL INJURY OR DEATH FROM ELECTROCUTION, DISCONNECT ELECTRIC POWER TO OPERATOR BEFORE INSTALLING.

NOTE: THE 5.25 DIM IS TO BE TAKEN FROM THE FRONT OF THE ENCLOSURE AND NOT FROM THE DOOR SEALING LIP.



INSTALLATION INSTRUCTIONS FOR SL1000

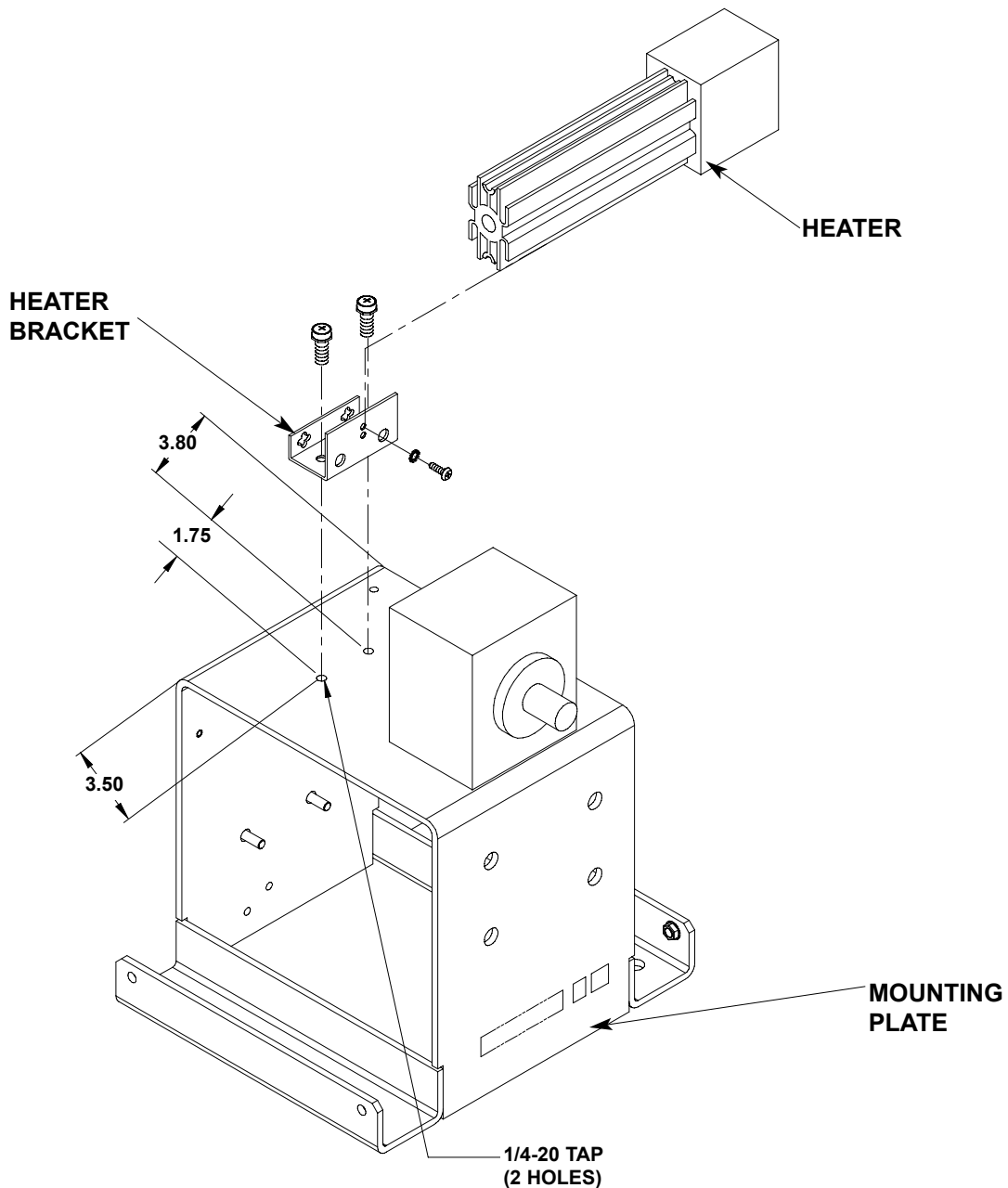
Installation of Heater Kit for SL1000:

1. If missing, drill and tap 2 holes in Mounting Plate as shown below.
2. Mount Heater Bracket to Mounting Plate.
3. Attach Heater to Bracket by sliding the heater's fin in between the washer and Bracket.
4. Make Wire Connections (See page 11 for wiring diagram).



WARNING

TO AVOID SERIOUS PERSONAL INJURY OR DEATH FROM ELECTROCUTION, DISCONNECT ELECTRIC POWER TO OPERATOR BEFORE INSTALLING.



INSTALLATION INSTRUCTIONS FOR SW470

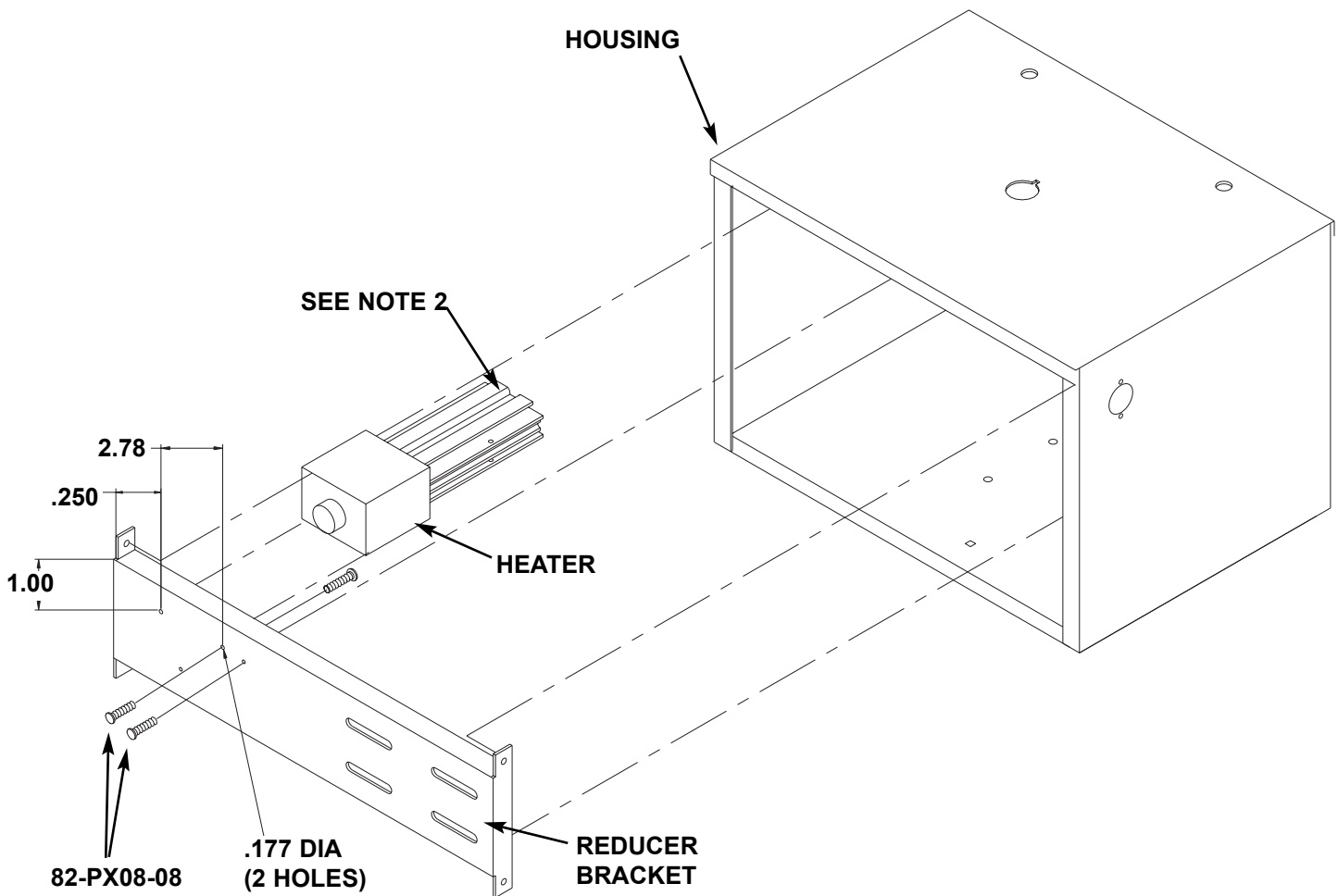
Installation of Heater Kit for SW470:

1. If missing, drill 2 Holes on Reducer Bracket as shown below.
2. Remove Chrome plug from end of Heater to provide flat mounting surface.
3. Mount Heater to Reducer Bracket with two pan head screws.
4. Make Wire Connections (See page 11 for Wiring Diagram).



WARNING

TO AVOID SERIOUS PERSONAL INJURY OR DEATH FROM ELECTROCUTION, DISCONNECT ELECTRIC POWER TO OPERATOR BEFORE INSTALLING.



INSTALLATION INSTRUCTIONS FOR SW490

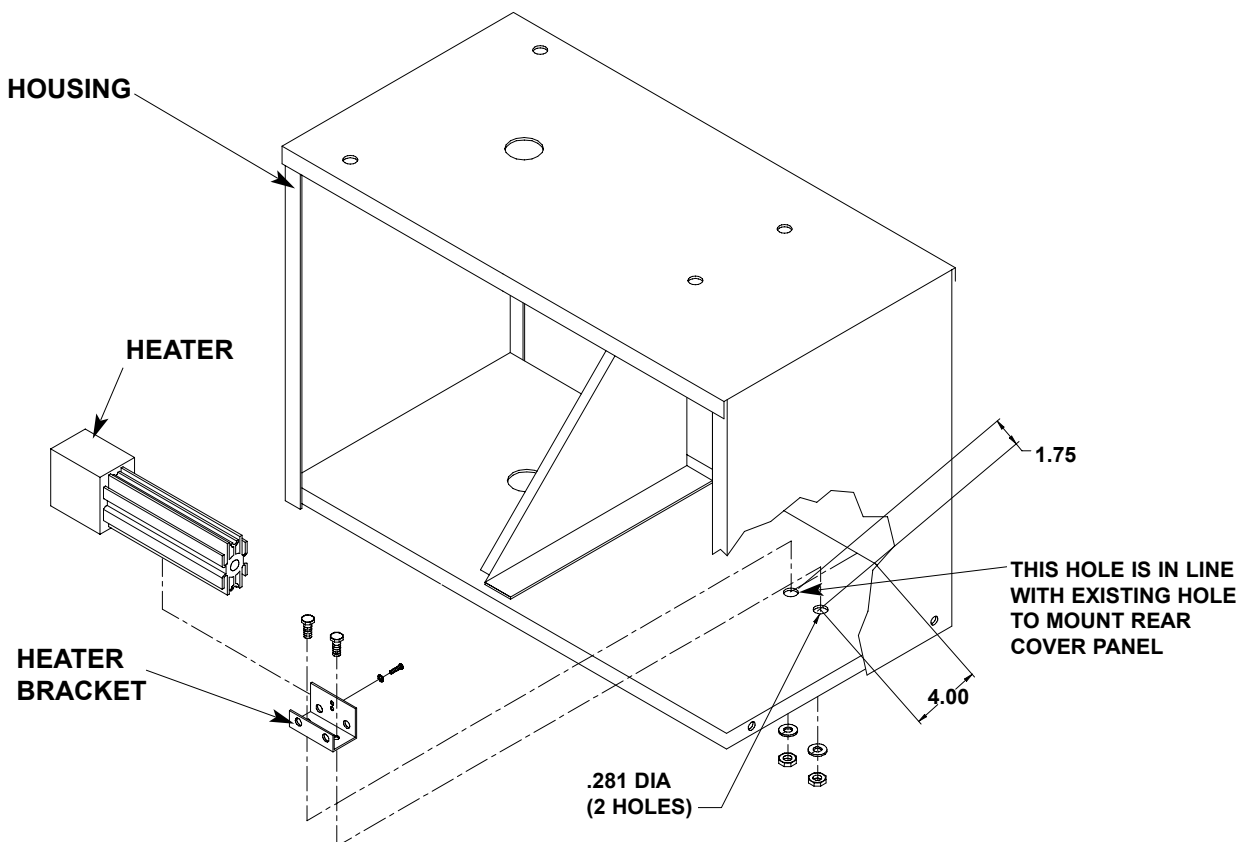
Installation of Heater Kit for SW490:

1. If missing, drill 2 Holes on bottom right of Housing as shown below.
2. Mount Heater Bracket to Housing.
3. Attach Heater to Bracket by sliding the heater's fin in between the washer and Bracket.
4. Make Wire Connections (See pages 11 & 12 for Wiring Diagrams).



WARNING

TO AVOID SERIOUS PERSONAL INJURY OR DEATH FROM ELECTROCUTION, DISCONNECT ELECTRIC POWER TO OPERATOR BEFORE INSTALLING.



INSTALLATION INSTRUCTIONS FOR SW2000

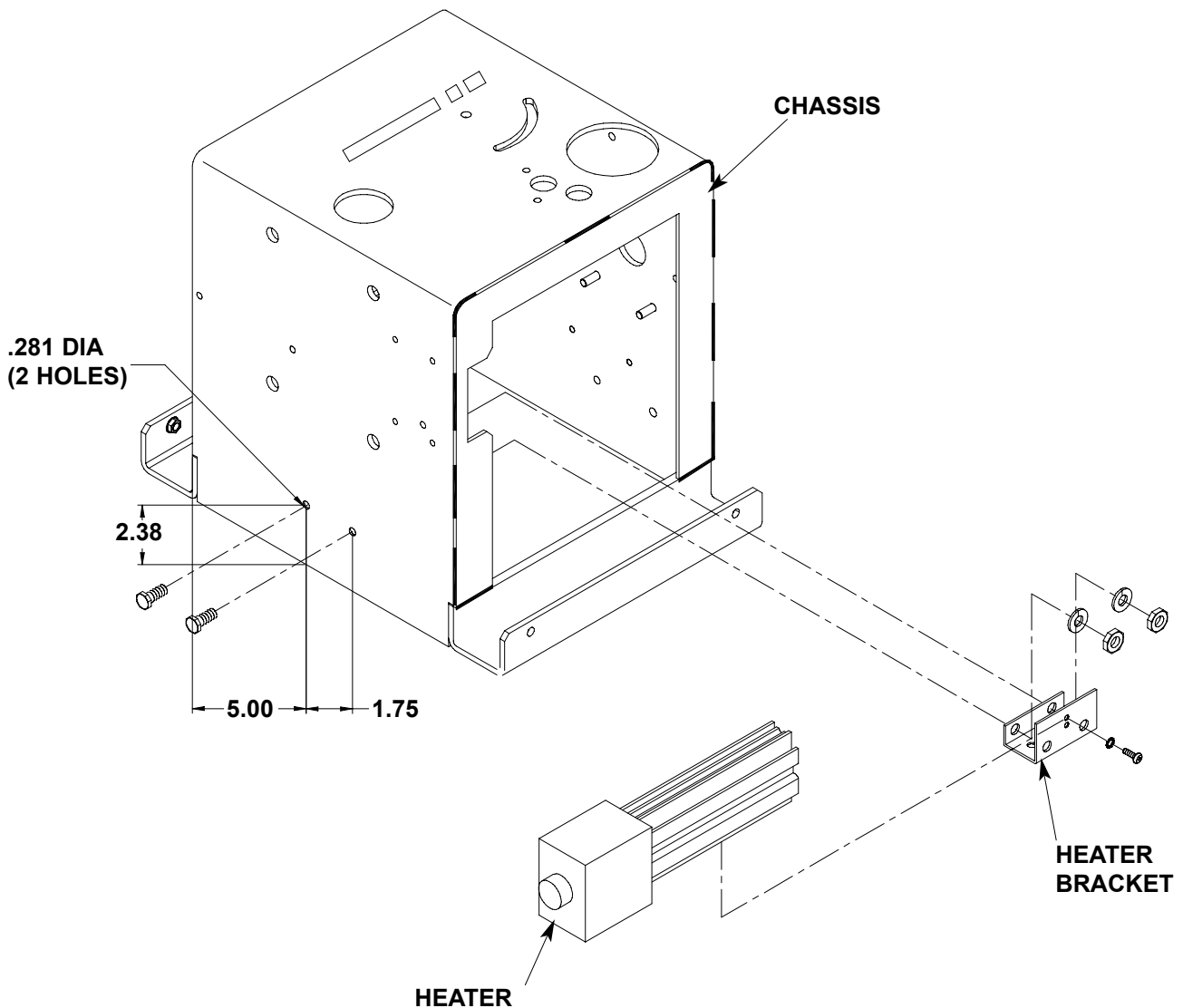
Installation of Heater Kit for SW2000:

1. If missing, drill 2 holes in Chassis as shown below.
2. Mount Heater Bracket to Chassis.
3. Attach Heater to Bracket by sliding the heater's fin in between the washer and Bracket.
4. Make Wire Connections (See page 11 for Wiring Diagram).



WARNING

TO AVOID SERIOUS PERSONAL INJURY OR DEATH FROM ELECTROCUTION, DISCONNECT ELECTRIC POWER TO OPERATOR BEFORE INSTALLING.



INSTALLATION INSTRUCTIONS FOR BG770

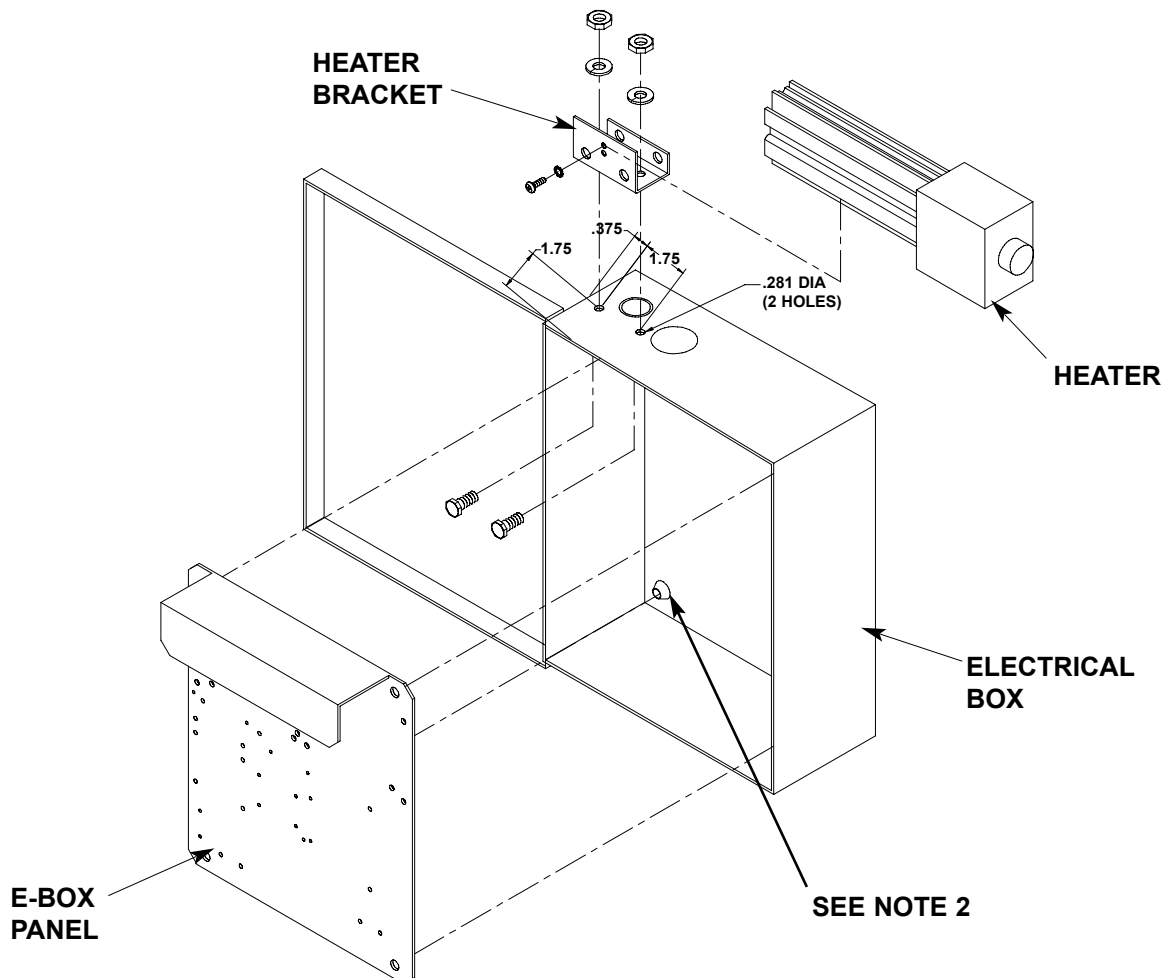
Installation of Heater Kit for BG770:

1. Open Electrical Box and Remove E-Box Panel.
2. To install the 100VA transformer for heater kit #65-19084, remove one of the two spacers (hex nut) from 4 mounting studs and relocate the relays on the panel, if required.
3. If missing, drill 2 holes on top left side of Electrical Box as shown below.
4. Mount Heater Bracket to Electrical Box.
5. Attach Heater to Bracket by sliding the heater's fin in between the washer and Bracket.
6. Make Wire Connections (See pages 11 & 12 for Wiring Diagrams).
7. Close Electrical Box.



WARNING

TO AVOID SERIOUS PERSONAL INJURY OR DEATH FROM ELECTROCUTION, DISCONNECT ELECTRIC POWER TO OPERATOR BEFORE INSTALLING.



INSTALLATION INSTRUCTIONS FOR BG790

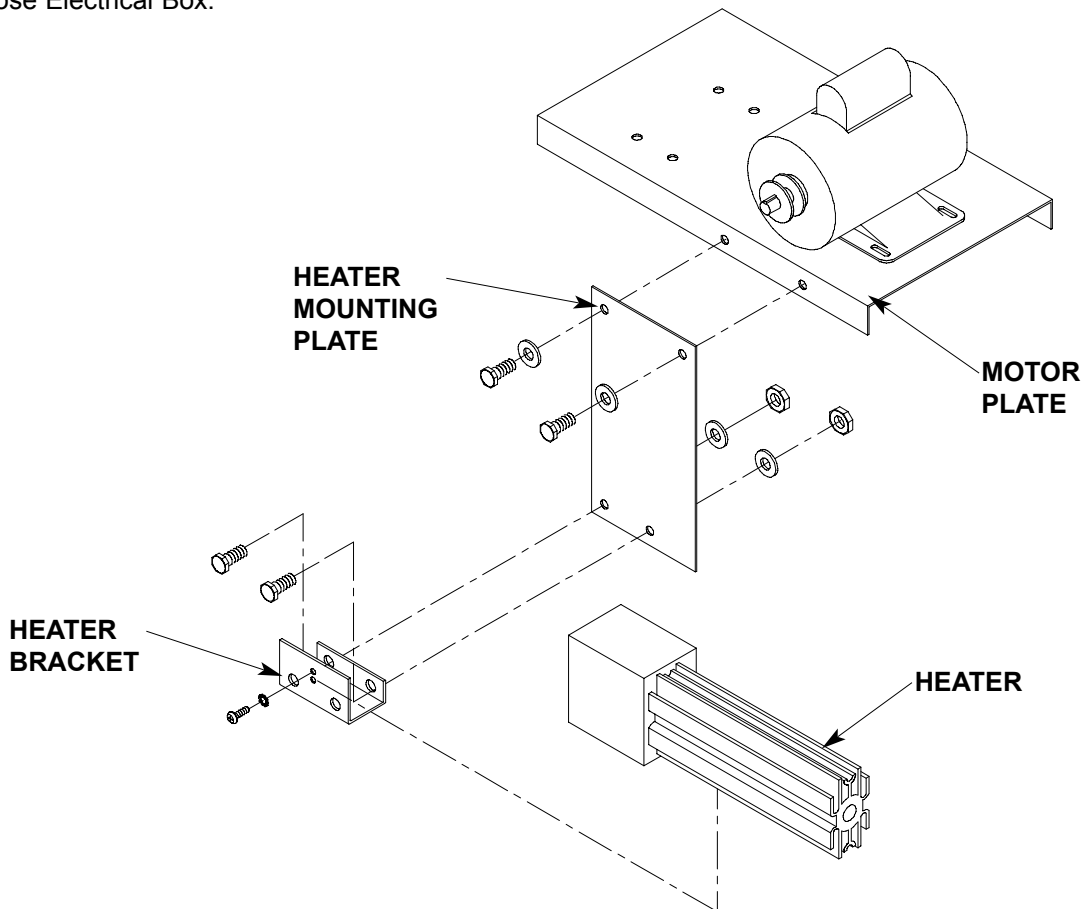
Installation of Heater Kit for BG790:

1. Open Electrical Box and Remove E-Box Panel.
2. To install the 100VA transformer for heater kit #65-19084, remove one of the two spacers (hex nut) from 4 mounting studs and relocate the relays on the panel, if required.
3. Mount Heater Plate to the Motor Plate.
4. Mount Heater Bracket to Heater Plate.
5. Attach Heater to Bracket by sliding the heater's fin in between the washer and Bracket.
NOTE: Reroute the operator power cable away from the heater.
6. Make Wire Connections (See pages 11 & 12 for Wiring Diagrams).
7. Close Electrical Box.



WARNING

TO AVOID SERIOUS PERSONAL INJURY OR DEATH FROM ELECTROCUTION, DISCONNECT ELECTRIC POWER TO OPERATOR BEFORE INSTALLING.



INSTALLATION INSTRUCTIONS FOR BG3000

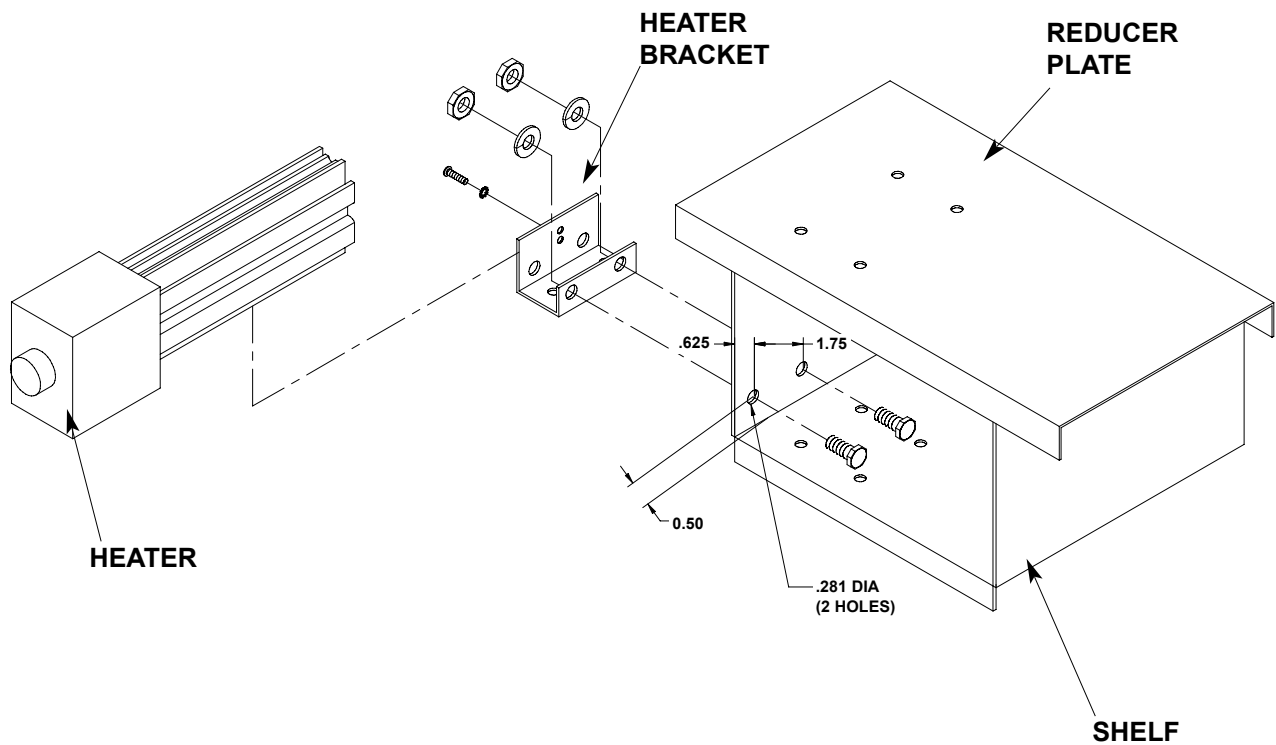
Installation of Heater Kit for BG3000:

1. If missing, drill 2 holes in Shelf as shown below.
2. Mount Heater Bracket to Shelf.
3. Attach Heater to Bracket by sliding the heater's fin in between the washer and Bracket.
4. Make Wire Connections (See page 11 for Wiring Diagram).



WARNING

TO AVOID SERIOUS PERSONAL INJURY OR DEATH FROM ELECTROCUTION, DISCONNECT ELECTRIC POWER TO OPERATOR BEFORE INSTALLING.



HEATER WIRING DIAGRAM FOR 115V GATE OPERATORS

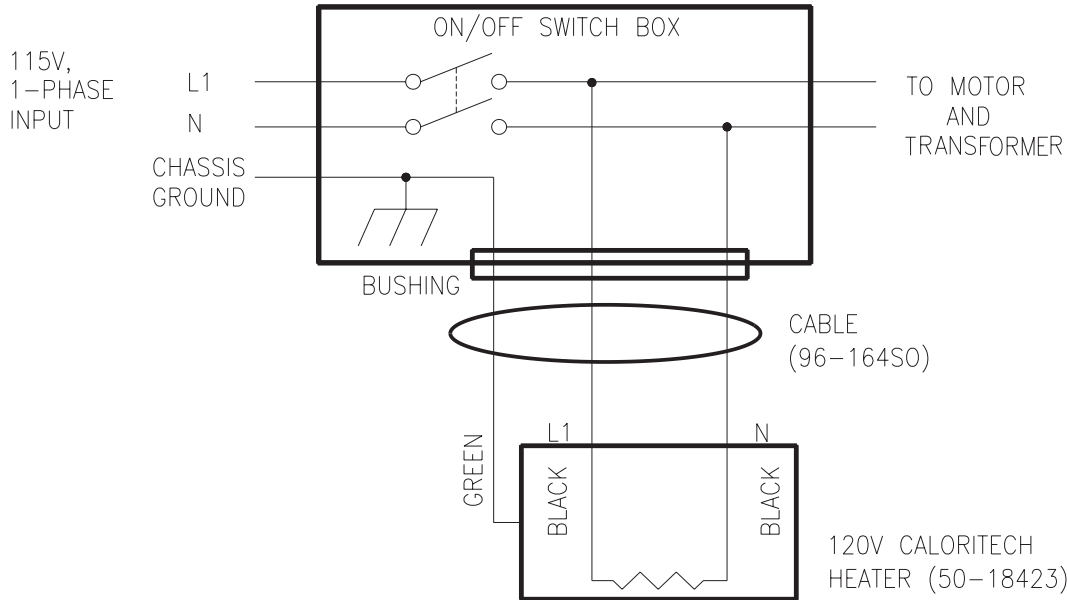
Operators affected: SL540, SL570, SL590, SL1000, SW470, SW490, SW2000, BG770, BG790 AND BG3000

Instructions:

- Route heater cable through a knockout hole on the operator switch box and connect to the incoming power line. Use strain relief bushing to secure the cable to the box.

Note: Do not use the knockout hole, which is used by installers during operator installation.

Note: For BG770/790 operators, connect heater COM and 120V inputs respectively to terminals H1 and H2 inside the E-Box.



HEATER WIRING DIAGRAM FOR 208, 230 & 460V GATE OPERATORS

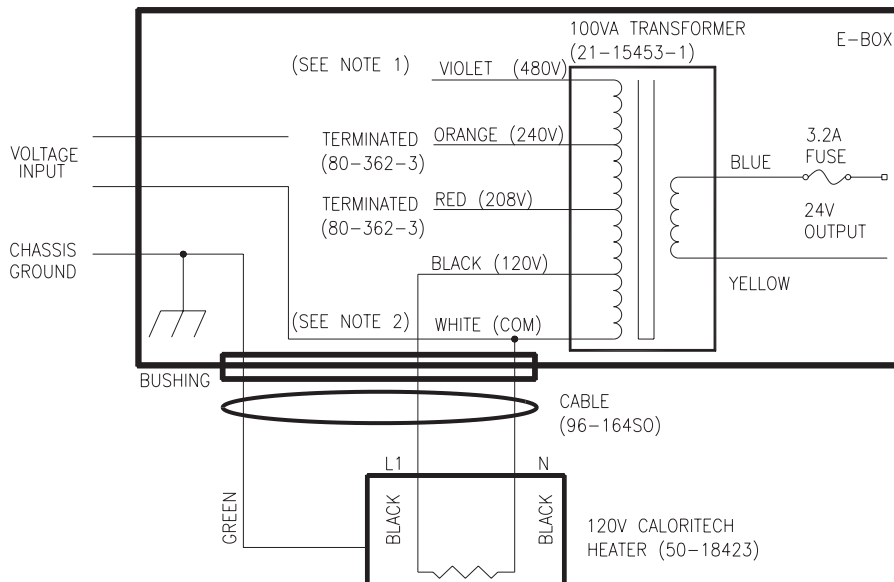
Operators affected: SL540, SL590, SW470, SW490, BG770 AND BG790

Instructions:

- Replace the existing 60VA transformer inside the operator E-box with the 100VA transformer (21-15453-1).
- Route heater cable through a knockout hole on the operator E-box and connect to the transformer. Terminate unused transformer input wires. Use strain relief bushing to secure the cable to the box.

Notes:

1. For 208V, 230V and 460V operators, connect power to appropriate transformer inputs (Red, Orange and Violet respectively)
2. For BG770/790 operators, connect transformer White (COM) and Black (120V) respectively to terminals L3 and H2 in the E-box. Connect heater COM and 120V inputs respectively to terminals H1 and H2.



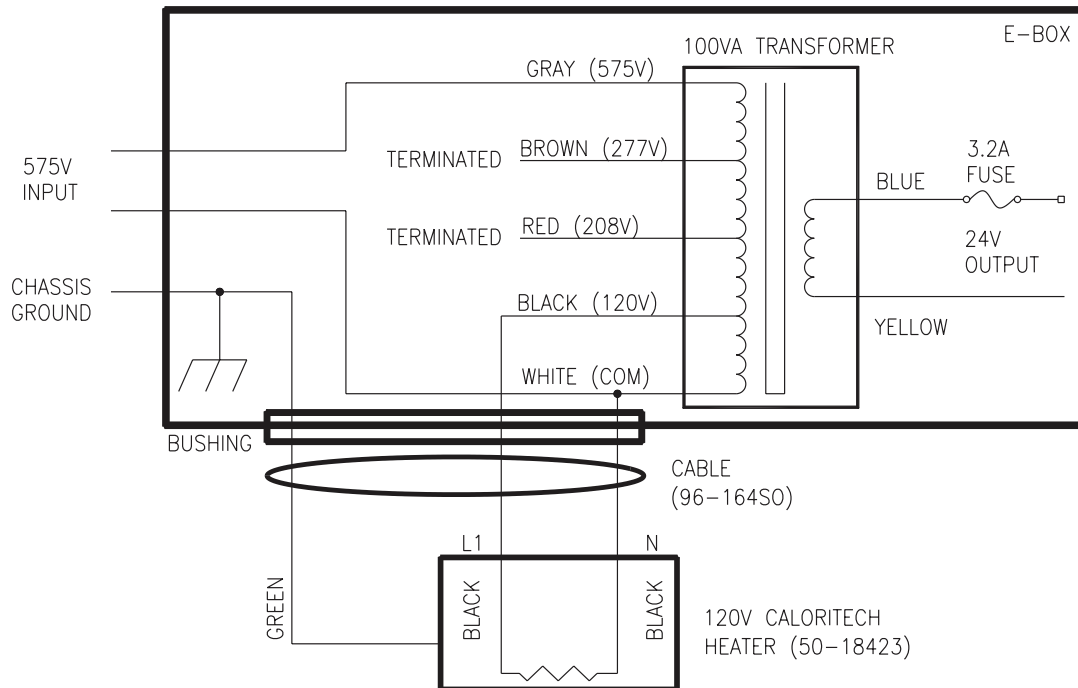
HEATER WIRING DIAGRAM FOR 575V 3-PHASE GATE OPERATORS

Operators effected: SL570, SL590, SW490, BG770 AND BG790

Instructions:

- Route heater wires through a knockout hole on the operator E-box and connect to the transformer. Use strain relief bushing to secure the cable to the box.

Note: For BG770/790 operators, connect heater COM and 120V inputs respectively to terminals H1 and H2 in the E-Box.



HOW TO ORDER REPAIR PARTS

DEVANCO CANADA

19192 HAY ROAD, UNIT Q
SUMMERSTOWN, ON K0C 2E0

TOLL FREE: 855-931-3334
www.devancocanada.com

**WHEN ORDERING REPAIR PARTS
PLEASE SUPPLY THE FOLLOWING INFORMATION:**

- ✓ PART NUMBER
- ✓ DESCRIPTION
- ✓ MODEL NUMBER