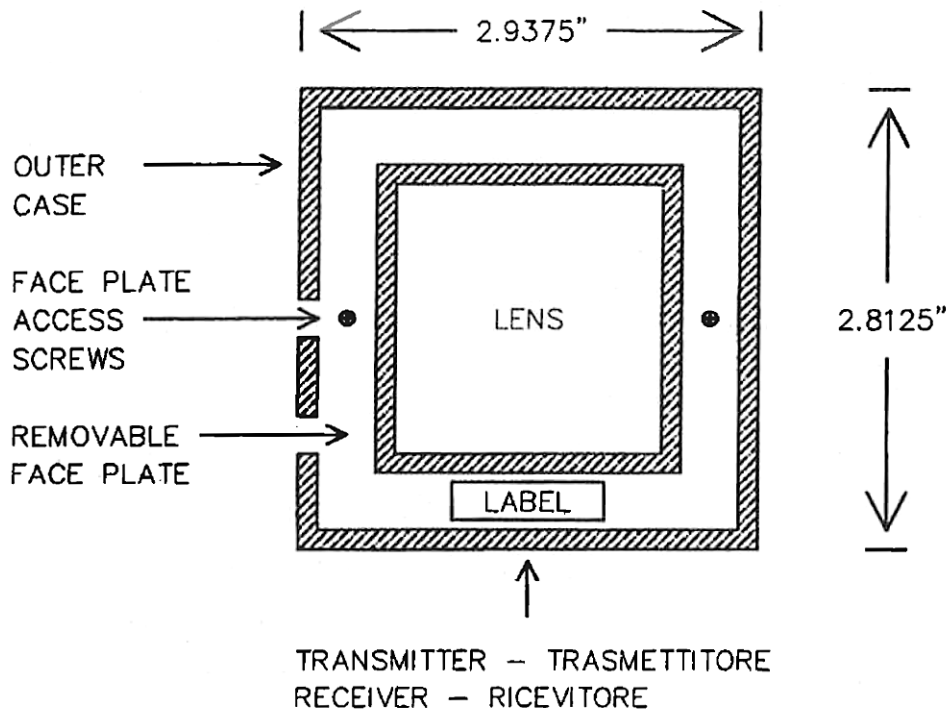


IR55 INFRARED BEAM

INSTRUCTIONS MANUAL

"UL 325 Certified " Infrared Photoelectric Cell, Model IR-55, Rated for Outdoor Use

- ① Power Supply can be 12 to 24 Volts A/C or D/C (Polarity does not matter)
- ② Nylon fiberglass reinforced enclosure; Dimensions as shown
- ③ Dual SPDT Relays wired in series, each rated 1 Amp at 120 Volts
- ④ Heaters incorporated behind the lens in both the Transmitter & Receiver
- ⑤ Transmitter: Green LED shows the Power is applied & Transmitter is functional
- ⑥ Receiver: Yellow LED shows the Power is applied and drops out when system is "Aligned"
- ⑦ Maximum Operating Range is 165 feet

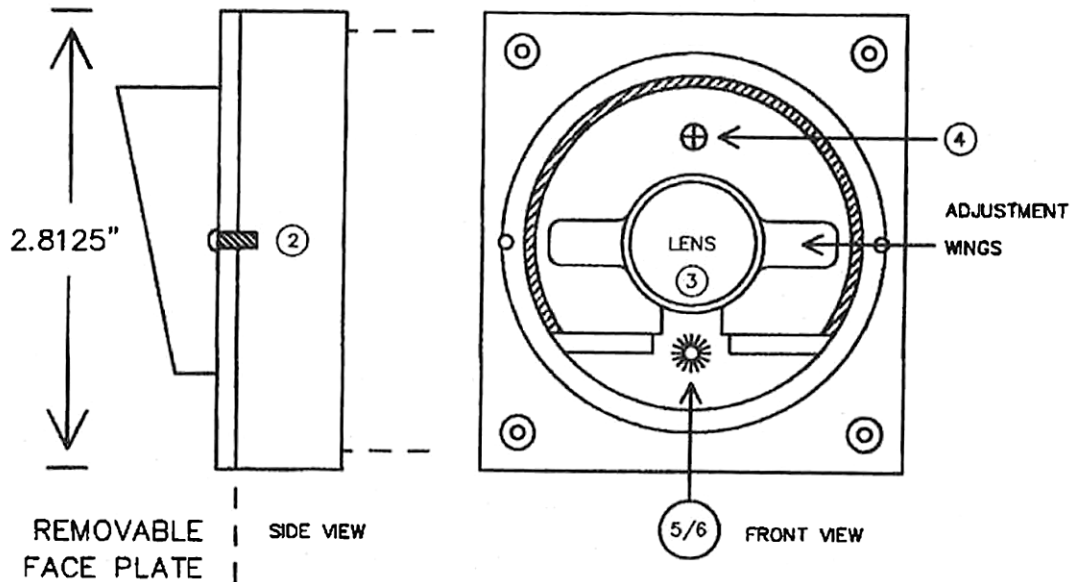


IR55 INFRARED BEAM

INSTRUCTIONS MANUAL

Instructions for the Alignment of the Model IR-55 Infrared Beam, Transmitter and Receiver

- ① Power must be present to both the Transmitter & Receiver prior to setting Alignment
If this is an Initial Installation, proceed to Pages 3 through 5, then return here
- ② Remove the two face plate screws and pull out the Removable Face Plate
- ③ Behind it, you will find the Adjustable Lens (for both the Transmitter & Receiver)
- ④ Loosen the Phillips Screw to be able to adjust the Transmitter / Receiver Alignment
- ⑤ Transmitter: The Green LED just below the Lens indicates Power is supplied
Receiver: The Yellow LED just below the Lens indicates when the Alignment is BROKEN
- ⑥ NOTE: The Yellow LED switches OFF when the Alignment is correct !
- ⑦ After obtaining the Alignment, tighten down the Phillips Screw to hold the Lens in place
- ⑧ Replace the Face Plate (with gasket) and secure with the two face plate screws

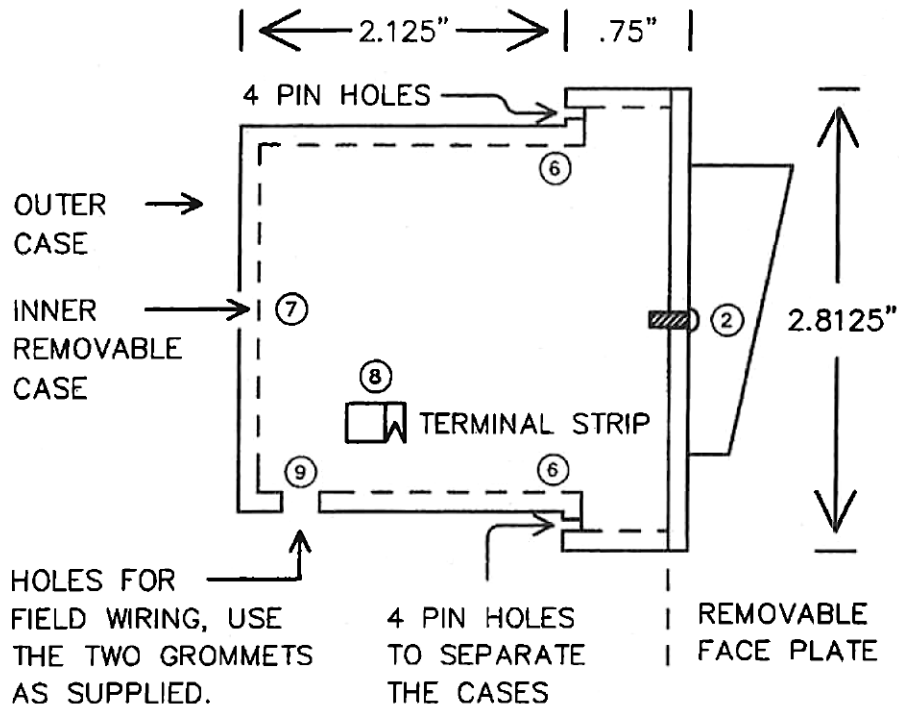


IR55 INFRARED BEAM

INSTRUCTIONS MANUAL

Instructions to obtain access to the Field Wiring Terminals of the Model IR-55 Infrared Beam

- ① Remove the two face plate screws and pull out the Removable Face Plate
- ② See Page 2 for the appearance of the front panel with the Face Plate removed
- ③ There is an Outer Case which contains an Inner Case as viewed from the Front
- ④ To Remove the Inner Case, turn the entire assembly around to view from the back
- ⑤ Locate the four holes (as shown below) and use a small diameter rod to push away
- ⑥ The Inner Case can then be removed from the Outer Case by pulling them apart
- ⑦ The Field Wiring Terminals are then accessible for your work
- ⑧ Remember to use the two Grommets for the wiring into the two cases



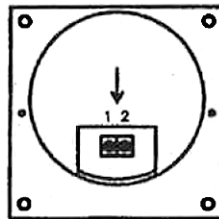
IR55 INFRARED BEAM

INSTRUCTIONS MANUAL

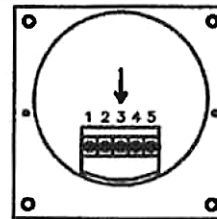
Instructions for Wiring the Model IR-55 Infrared Beam – Transmitter

- ① Voltage: +24 Volts D/C
- ② Voltage: -24 Volts D/C
- ③ Voltage Range is 12 – 24 Volts, A/C or D/C; however 24 Volts D/C is used
Polarity does not matter regardless of using A/C or D/C
- ④ The Green LED (on the Lens Side) is "ON" when the power is supplied
- ⑤ Feed wiring through outer case first, and then onto these terminals. Allow an extra length of wires to be able to place inner case back into outer case. Use supplied Grommets.

INFRARED TRANSMITTER WIRING



INFRARED RECEIVER WIRING



← INNER REMOVABLE CASE →

Instructions for Wiring the Model IR-55 Infrared Beam – Receiver

- * Labels of the Relay Contacts are with the Power "ON" and the Alignment "CORRECT"
- ① Dual Relays Contact, Normally Closed
 - ② Dual Relays Contact, Normally Open
 - ③ Dual Relays Contact, Common
 - ④ Voltage: +24 Volts D/C
 - ⑤ Voltage: -24 Volts D/C
- Voltage Range is 12 – 24 Volts, A/C or D/C; however 24 Volts D/C is used here
- ⑥ Polarity does not matter regardless of using A/C or D/C
 - ⑦ The Yellow LED (Lens side) is ON when the Power is ON and the Alignment is BROKEN

HOW TO ORDER REPAIR PARTS

DEVANCO CANADA

19192 HAY ROAD, UNIT Q
SUMMERSTOWN, ON K0C 2E0

TOLL FREE: 855-931-3334
www.devancocanada.com

**WHEN ORDERING REPAIR PARTS
PLEASE SUPPLY THE FOLLOWING INFORMATION:**

- ✓ PART NUMBER
- ✓ DESCRIPTION
- ✓ MODEL NUMBER