

NOTE: Refer to the owner's manual provided with the operator for all mounting and wiring instructions.

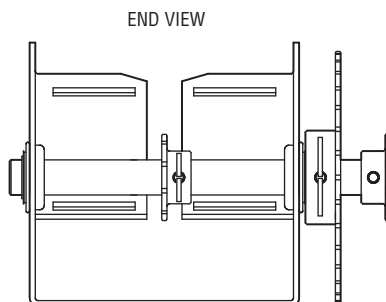
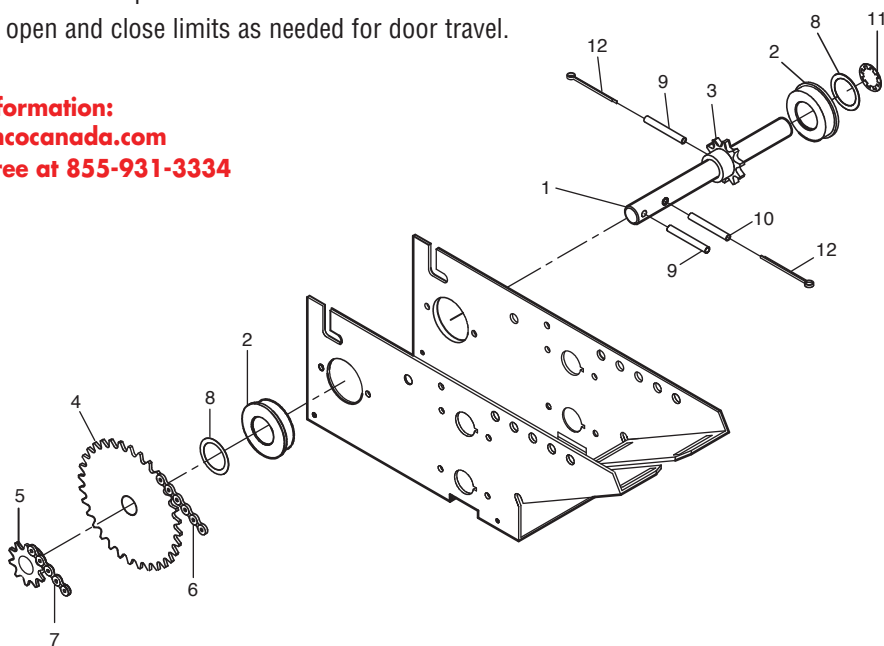
REMOVE EXISTING SHAFT ASSEMBLY

1. Disconnect power to the operator.
2. Remove the trolley drive chain.
3. Remove the reduction drive chain and the limits drive chain.
4. Remove the roll pin from the trolley drive sprocket.
5. Remove the push ring from the end of the output shaft.
6. Slide the output shaft out of the frame. The trolley drive sprocket will slide along the shaft as it is removed.
7. Remove the existing flanged bearings from the frame.

INSTALL NEW OUTPUT SHAFT

1. Secure the reduction drive sprocket and the limit drive sprocket to the shaft with the drive slotted spring pins provided. Install cotter pin through the slotted spring pin for the drive sprocket as illustrated.
2. Insert the flanged bearings into each side of the frame.
3. Insert the output shaft with the sprockets and shim washer in place into the frame. Make sure to slide the trolley drive sprocket on the shaft when passing through the frame.
4. Replace the final shim and secure the shaft in the frame with the push on ring.
5. Secure the trolley drive sprocket to the shaft with slotted spring pin. Install cotter pin through the slotted spring pin for the drive sprocket as illustrated.
6. Replace the reduction drive chain and the limits drive chain.
7. Replace the trolley drive chain.
8. Restore power to the operator.
9. Adjust the open and close limits as needed for door travel.

For more information:
www.devancocanada.com
or call toll free at 855-931-3334



⚠️ WARNING

To prevent possible SERIOUS INJURY or DEATH, disconnect electric power to operator BEFORE installing.
ALL electrical connections MUST be made by a qualified individual.

PACKING LIST

ITEM	DESCRIPTION	QTY
1	Output shaft	1
2	Flange bearing	2
3	Sprocket 41B10 x 3/4 bore (3/4 & 1 HP)	1
	Sprocket 48B10 x 3/4 bore, steel (1/3 & 1/2 HP)	1
4	Sprocket 41B32 x 3/4 bore	1
5	Sprocket 48B10 x 3/4 bore	1
6	Drive chain #41 x 47 pitches	1
7	Limit chain #48 x 33 pitches	1
8	Shim washer	2
9	Slotted spring pin 1/4" x 1-1/8"	2
10	Slotted spring pin 1/4" x 1-1/2"	1
11	Push ring 3/4" I.D.	1
12	Cotter Pin, 1/8 x 1-3/4"	2

***HOW TO ORDER
REPAIR PARTS***

DEVANCO CANADA

19192 HAY ROAD, UNIT Q
SUMMERSTOWN, ON K0C 2E0

TOLL FREE: 855-931-3334

www.devancocanada.com

**WHEN ORDERING REPAIR PARTS
PLEASE SUPPLY THE
FOLLOWING INFORMATION:**

- ✓ PART NUMBER
- ✓ DESCRIPTION
- ✓ MODEL NUMBER