



# PHOTO008A/B/C/D-Photo Cells

## Specifications and Installation Instructions

### NOTICE

- Always shut OFF the main power before performing any electrical intervention.
- Photo cells must be installed facing each other across the door's path within 6" (15 cm) of the plane of the door and the beam no more than 5-3/4" (14,6 cm) above the floor.
- Keep low voltage wires separate from line voltage wires.
- Use copper conductors only.

### Installation Instructions

PHOTO008A is a NEMA1 type monitored photo cell. PHOTO008B is a NEMA4 type monitored photo cell. PHOTO008C/D are NEMA4X type non-monitored photo cells. Note: The interface module (INTERFACE001) included in the kit, is not NEMA4 rated and therefore should be installed inside the operator control box. The operator will detect the correct operation of the entrapment protection device at least once per close cycle. If the entrapment protection device is not functioning properly or is not present, the door will reverse to the fully open position.

### Determine the Type of Installation

#### 1. Electronic Control Board (ECB) Equipped Operator:

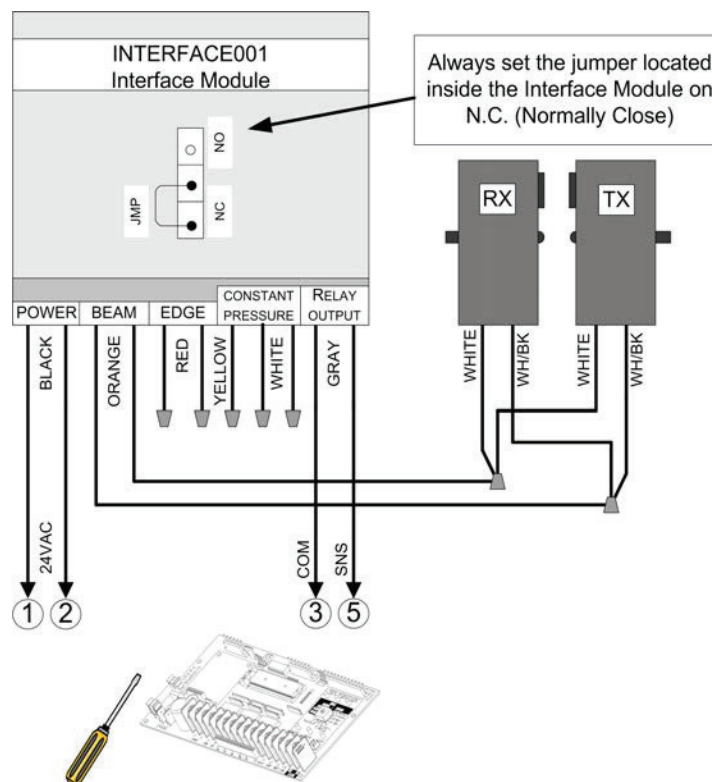


Figure 1 - PHOTO008A/B/C/D Connection to ECB

**For more information, please visit [www.devancocanada.com](http://www.devancocanada.com)  
or call toll free at 855-931-3334**

### NOTICE

For **ELECTROMECHANICAL OPERATORS ONLY**: If the operator detects that the entrapment protection device is not functioning properly or is not present, and depending of the connection type chosen, the operator will not respond to any command **OR** the 3 PBS will revert to constant-pressure-to-close.

### 2. Electromechanical Operator:

**Operator WITHOUT 3-PBS constant pressure-to-close revert mode (3-PBS standard connection):**

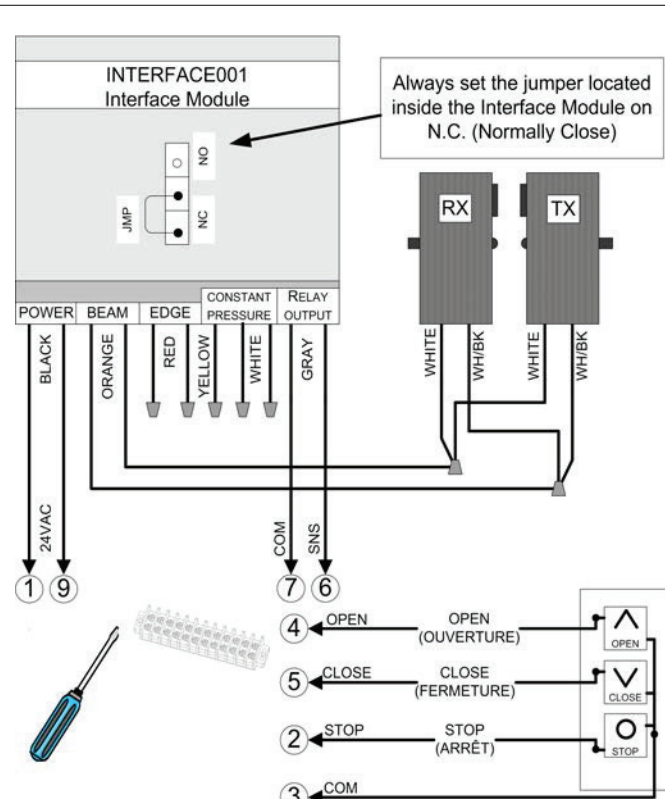


Figure 2 - PHOTO008A/B/C/D - Connection to Electromechanical Operator Without 3-PBS Constant Pressure-to-Close Revert Mode

**Operator WITH 3-PBS constant pressure-to-close revert mode:**

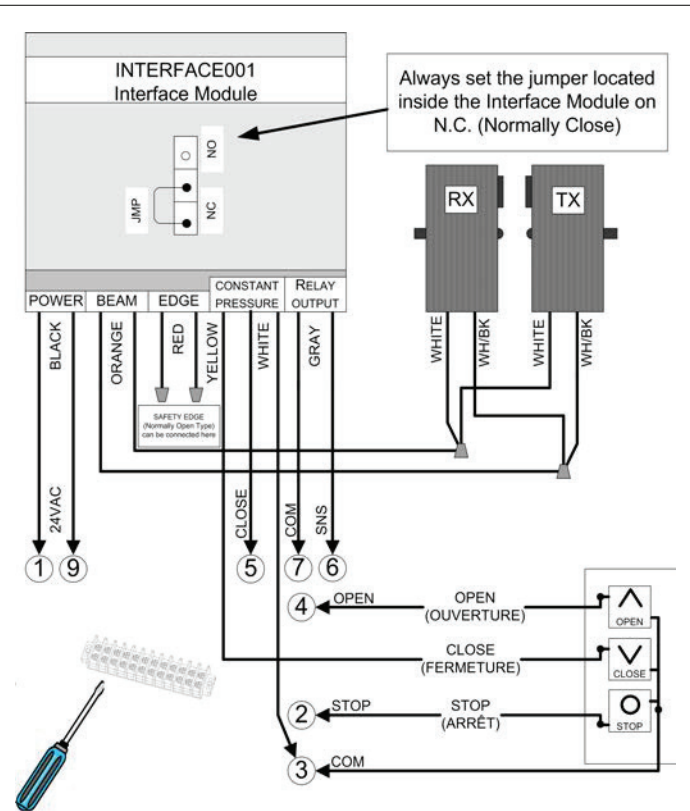


Figure 3 - PHOTO008A/B/C/D - Connection to Electromechanical Operator With 3-PBS Constant Pressure-to-Close Revert Mode

## HOW TO ORDER REPAIR PARTS

### DEVANCO CANADA

19192 HAY ROAD, UNIT Q, SUMMERSTOWN, ON K0C 2E0  
TOLL FREE: 855-931-3334 • [www.devancocanada.com](http://www.devancocanada.com)

**WHEN ORDERING REPAIR PARTS PLEASE SUPPLY THE FOLLOWING INFORMATION:**  
✓ PART NUMBER    ✓ DESCRIPTION    ✓ MODEL NUMBER