


PHOTO070

MONITORED PHOTOELECTRIC CELLS

STANDARD FEATURES

- Monitored primary external entrapment protection device.
- Compatible with the Electronic Control Board 070M.
- ANSI/UL325 recognized component. 
- Infrared thru-beam technology reduces false reflective signals.
- Nema 1 enclosure.
- Easy alignment with a $\pm 2^\circ$ tilt in all directions.
- Includes mounting brackets and 30 ft (9.1 m) of cable for easy installation.

OPTIONS (SEE REVERSE)

- Compatible with ancillary entrapment protection devices.
- Compatible with non-monitored operators with use of an interface module.



- **Small Profile**
- **Simplified Wiring**
- **Easy to Installation and Adjustment**
- **ANSI/UL325 Recognized Component**

PHOTO070 are easy to use, ANSI/UL325 recognized photoelectric cells. The versatility of the threaded design allows for simple bracket-mounting for an easy installation.

If the beam between the transmitter and the receiver is interrupted, the photoelectric cell sends an immediate electrical signal to the operator's Electronic Control Board (BOARD070M) which stops and/or reverses the door.

Product Specification Sheet

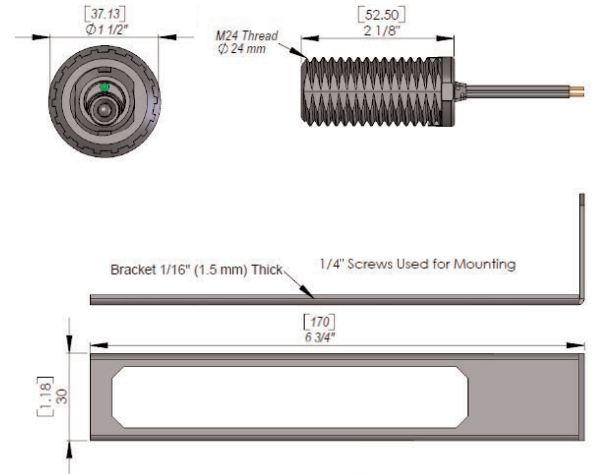
PHOTO070

MONITORED PHOTOELECTRIC CELLS

TECHNICAL SPECIFICATIONS

Color:	Black
Protection Class:	NEMA 1 sensor enclosures
Electrical Diagram:	Monitored configuration
Temperature Range:	-10 °F to + 165 °F (-12 °C to +74 °C)
Housing Materials:	ABS-PC blend
Housing Diameter:	1" (25 mm)
Housing Length:	2" (50 mm)
Signalling Cable:	PVC Insulation, 2 x 22 AWG
Length of Signalling Cable:	Max. length from sensors to operator's ECB: ~650 Ft (~200 m)
Length of Cable:	3 Ft (0.91 m)
Power Supply:	Self-powered by ECB main controller
Output:	2-Wire modulated signal
Range:	1 Ft to 45 Ft (0.3 m to 13 m)

DIMENSIONS



OPTIONS



INTERFACE003
Y-Connecting Signal-Merging
N4 Module



LIGHTCURTAIN001
Monitored Light Curtain
3' (0.91 m) Protection Height



**SENSEEDGE044UM /
INTERFACE002**
Monitored Sensing Edge /
Signature Interface Module
(sold separately)



INTERFACE001
Interface Module Enabling
Connection of Monitored
Photocells To An Operator
Without Monitoring Function