

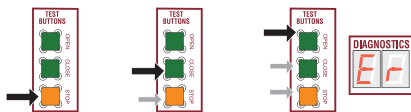
**WARNING**

- DISCONNECT power BEFORE installing or servicing operator.
- Replace ONLY with fuse of same type and rating.
- To be compliant with UL325 and industry safety guidelines, qualified monitored external entrapment protection devices such as photoelectric sensors or edge sensors are required to be installed with this operator at each entrapment zone. Use ONLY LiftMaster approved entrapment protection devices (refer to the accessory page of manual).
- See manual regarding maintenance and required safety testing prior to servicing.

**Diagnostic Codes**

**TO VIEW THE CODES:**

Press and hold STOP... then press and hold CLOSE... then press and hold OPEN until 'Er' shows.



The operator will show the code sequence number followed by the code number:



**CODE SEQUENCE NUMBER**

The first number shown is the most recent code (example: "01"). The display will show the sequence of codes that occurred starting with "01" and going up to code "29".

**CODE NUMBER**

The second number shown after the code sequence number is the code itself (31-99, example "31").

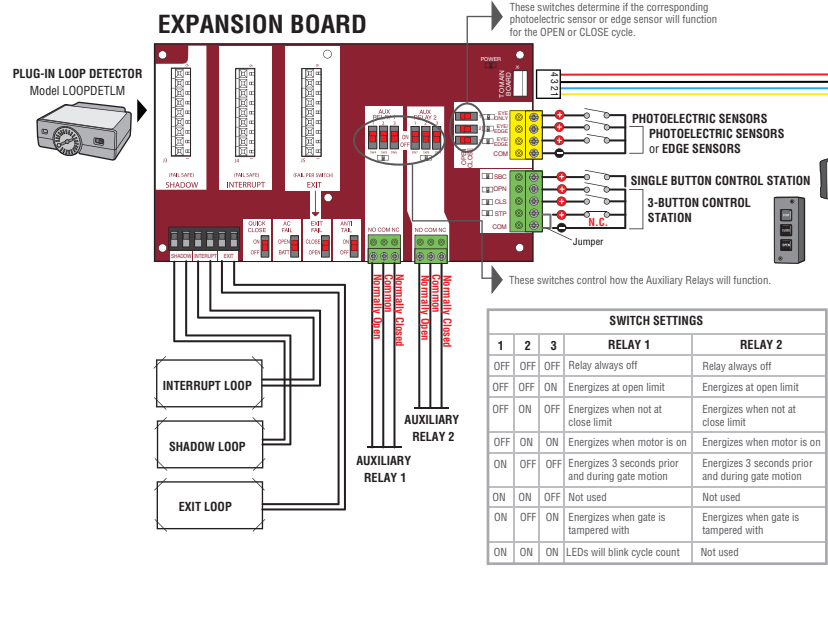
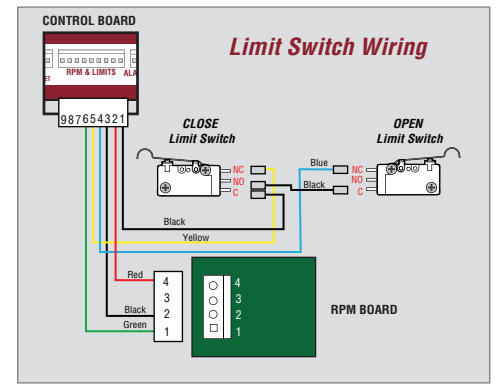
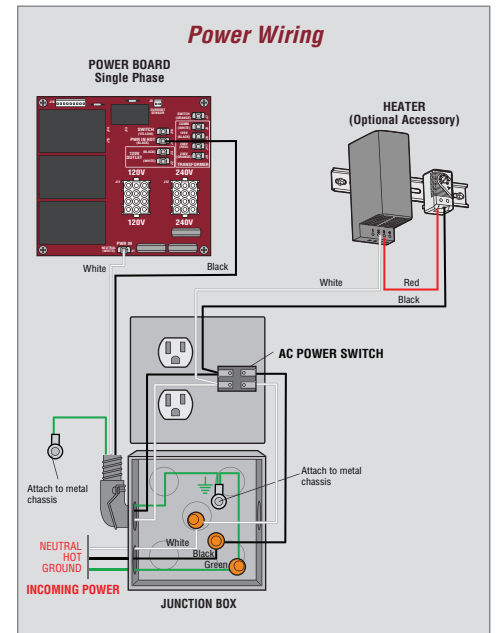
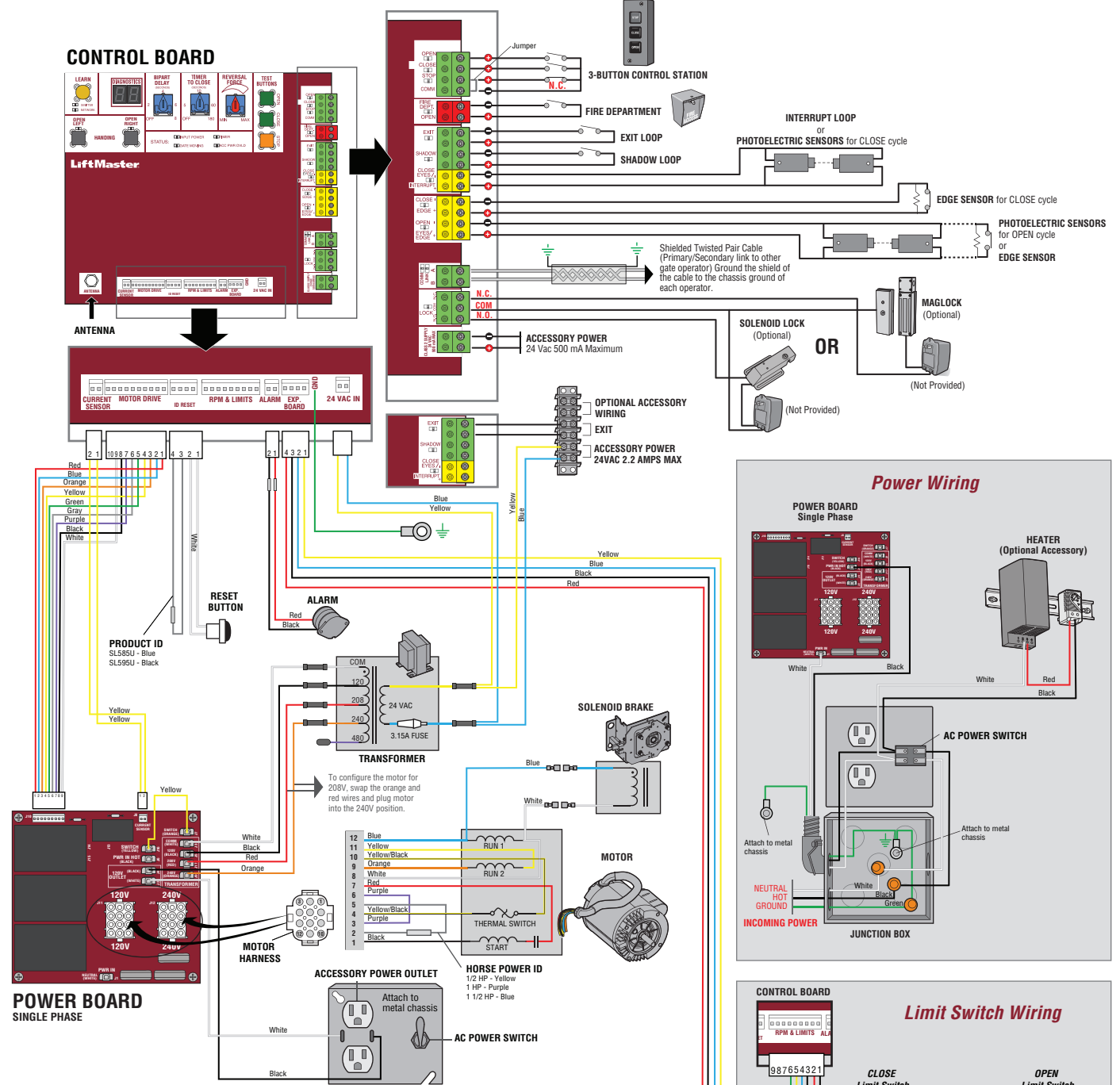
**TO SCROLL THROUGH THE SAVED CODES:**

Press the OPEN button to cycle to the most recent code ("01"). Press the CLOSE button to cycle to the oldest code (up to "20").

**CODE COLOR KEY:**

- LiftMaster System
- Installed System
- Informational
- External Entrapment Protection
- Inherent Entrapment Protection

MEANING	SOLUTION
31 Main control board has experienced an internal failure.	Disconnect all power, wait 15 seconds, then reconnect power (reboot). If issue continues, replace main control board.
35 Max-Run-Time Exceeded Error	Attempt to run and review for duration and obstructions. Max-Run-Time can be re-measured by saving one or both of the limits again.
36 Product ID Error	Was the control board just replaced? If so, erase limits, enter limit setup mode and set limits. If not, disconnect all power, wait 15 seconds, then reconnect power before changing product ID harness.
37 Product ID Failure	Unplug product ID harness then plug back in. Disconnect all power, wait 15 seconds, then reconnect power before replacing product ID harness.
43 Failure or missing EXIT loop	Check loop wiring throughout connection. May be a short in the loop, or an open connection in the loop (LiftMaster Plug-in Loop Detector only).
44 Failure or missing SHADOW loop	Check loop wiring throughout connection. May be a short in the loop, or an open connection in the loop (LiftMaster Plug-in Loop Detector only).
45 Failure or missing INTERRUPT loop	Check loop wiring throughout connection. May be a short in the loop, or an open connection in the loop (LiftMaster Plug-in Loop Detector only).
46 Wireless edge battery low	Replace batteries in wireless edge.
47 Power board fault	Relay fault detected in the power board. Replace the power board.
50 Run-Distance Error	Limits are less than 4 feet apart or longer than what was learned. Check limit positions and proper switch function. Run-Distance can be re-learned by setting the hardware again.
53 Brownout occurred	ACDC board supply dipped below allowable level. Review power supply and wiring. If rebooting, ensure enough time for discharge of power to force a fresh boot.
54 Wireless Second Operator Communication Error	Check the second operator for power. If OFF, restore power and try to run the system. If powered, deactivate the wireless features and then re-learn the second operator.
55 System AC Overvoltage	Call utility.
56 System AC Undervoltage	Check wiring and wire gauge to operator.
57 Limit Error - Stuck Switch	Check switch for proper operation. Check harness for shorts. Replace if defective.
58 Limit Error - Wrong Switch	Check motor wiring.
59 Missing Power Board	Check harness for shorts. Check for presence of power board.
60 Minimum number of monitored entrapment protection devices (one) not installed.	Review monitored entrapment protection device connections.
61 CLOSE EYE/INTERRUPT held more than 3 minutes	Check wired input on main board; check for alignment or obstruction.
62 CLOSE EDGE held more than 3 minutes	Check wired input on main board; check for alignment or obstruction.
63 OPEN EYE/EDGE held more than 3 minutes	Check wired input on expansion board; check for alignment or obstruction.
64 CLOSE EYE/INTERRUPT held more than 3 minutes	Check wired input on expansion board; check for alignment or obstruction.
65 CLOSE EYE/EDGE held more than 3 minutes	Check wired input on expansion board; check for alignment or obstruction.
66 OPEN EYE/EDGE held more than 3 minutes	Check wired input on expansion board; check for alignment or obstruction.
67 Wireless edge triggered more than 3 minutes	Check wired input for wiring issue or obstruction.
68 Wireless edge loss of monitoring	Check wireless edge inputs.
69 Wireless edge triggered	If an obstruction occurred, no action required. If an obstruction did NOT occur, check inputs and wiring.
70 CLOSE EYE/INTERRUPT triggered, causing reversal, preventing close, or resetting TTC	If an obstruction occurred, no action required. If an obstruction did NOT occur, check alignment, inputs, and wiring on main board.
71 CLOSE EDGE triggered, causing reversal, preventing close, or canceling TTC	If an obstruction occurred, no action required. If an obstruction did NOT occur, check alignment, inputs, and wiring on expansion board.
72 OPEN EYE/EDGE triggered, causing reversal or preventing opening	If an obstruction occurred, no action required. If an obstruction did NOT occur, check alignment, inputs, and wiring on expansion board.
73 CLOSE EYE/INTERRUPT triggered, causing reversal, preventing close, or canceling TTC	If an obstruction occurred, no action required. If an obstruction did NOT occur, check alignment, inputs, and wiring on expansion board.
74 CLOSE EYE/EDGE triggered, causing reversal or canceling TTC	If an obstruction occurred, no action required. If an obstruction did NOT occur, check alignment, inputs, and wiring on expansion board.
75 OPEN EYE/EDGE triggered, causing reversal or preventing opening	If an obstruction occurred, no action required. If an obstruction did NOT occur, check alignment, inputs, and wiring on expansion board.
80 Close input (EYE/EDGE) communication fault from other operator	Check inputs and communication method between operators, either wired bus or radio. Ensure operator is powered. May have to erase the wireless communication and reprogram the two operators.
81 Open input (EYE/EDGE) communication fault from other operator	Check inputs and communication method between operators, either wired bus or radio. Ensure operator is powered. May have to erase the wireless communication and reprogram the two operators.
82 Close input (EYE/EDGE) communication fault (expansion board)	Check the connections between the main board and the expansion board.
83 Open input (EYE/EDGE) communication fault (expansion board)	Check the connections between the main board and the expansion board.
91 Force Reversal	Look for obstruction. If no obstruction, check that the mechanical assembly is engaged and free to move. Refer to manual for Limit and Force Adjustment, and Obstruction Test.
93 RPM / STALL Reversal	Check for obstruction. If no obstruction, check the operator cable wiring and that the operator arm is engaged and free to move. Replace RPM assembly.
95 AC motor no start condition	Motor failed to start. Check for an obstructed gate or binding mechanism. Check start capacitor connections and condition.
99 Normal Operation	No action required



These switches determine if the corresponding photoelectric sensor or edge sensor will function for the OPEN or CLOSE cycle.

SWITCH SETTINGS				
1	2	3	RELAY 1	RELAY 2
OFF	OFF	OFF	Relay always off	Relay always off
OFF	OFF	ON	Energizes at open limit	Energizes at open limit
OFF	ON	OFF	Energizes when not at close limit	Energizes when not at close limit
ON	OFF	OFF	Energizes when motor is on	Energizes when motor is on
ON	OFF	ON	Energizes 3 seconds prior and during gate motion	Energizes 3 seconds prior and during gate motion
ON	ON	OFF	Not used	Not used
ON	OFF	ON	Energizes when gate is tampered with	Energizes when gate is tampered with
ON	ON	ON	LEDs will blink cycle count	Not used

**RED/GREEN LIGHT FUNCTIONALITY**  
Red light wired to AUX RELAY 1. Green light wired to AUX RELAY 2.

GATE STATE	AUX RELAY 1 SWITCHES			AUX RELAY 2 SWITCHES		
	1 OFF	2 OFF	3 OFF	1 ON	2 ON	3 ON
CLOSED		Red light OFF*			Green light OFF	
OPENING		Red light ON/FLASH			Green light OFF	
OPEN		Red light OFF			Green light ON	
CLOSING		Red light ON/FLASH			Green light OFF	
Defined Mid Stop			n/a		n/a	
Undefined Mid Stop		Red light ON			Green light OFF	
Timer more than 5 seconds		Red light OFF			Green light ON	
Timer less than 5 seconds		Red light ON/FLASH			Green light OFF	

\* For red light ON when gate is closed, set switch 1 on AUX RELAY 1 to ON

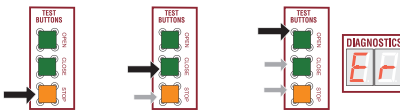
**WARNING**

- DISCONNECT power BEFORE installing or servicing operator.
- Replace ONLY with fuse of same type and rating.
- To be compliant with UL325 and industry safety guidelines, qualified monitored external entrapment protection devices such as photoelectric sensors or edge sensors are required to be installed with this operator at each entrapment zone. Use ONLY LiftMaster approved entrapment protection devices (refer to the accessory page of manual).
- See manual regarding maintenance and required safety testing prior to servicing.

**Diagnostic Codes**

**TO VIEW THE CODES:**

Press and hold STOP... then press and hold CLOSE... then press and hold OPEN until "Er" shows.



The operator will show the code sequence number followed by the code number.



The first number shown is the most recent code (example: "01"). The display will show the sequence of codes that occurred starting with "01" and going up to code "20".

**TO SCROLL THROUGH THE SAVED CODES:**

Press the OPEN button to cycle to the most recent code ("01"). Press the CLOSE button to cycle to the oldest code (up to "20").

**CODE COLOR KEY:**

- Yellow: LiftMaster System
- Orange: Installed System
- Green: Informational
- Red: External Entrapment Protection
- Black: Inherent Entrapment Protection

MEANING	SOLUTION
31 Main control board has experienced an internal failure.	Disconnect all power, wait 15 seconds, then reconnect power (reboot). If issue continues, replace main control board.
35 Max-Run-Time Exceeded Error	Attempt to run and review for duration and obstructions. Max-Run-Time can be re-measured by saving one or both of the limits again.
36 Product ID Error	Was the control board just replaced? If so, erase limits, enter limit setup mode and set limits. If not, disconnect all power, wait 15 seconds, then reconnect power before changing product ID harness.
37 Product ID Failure	Unplug product ID harness then plug back in. Disconnect all power, wait 15 seconds, then reconnect power before replacing product ID harness.
43 Failure or missing EXIT loop	Check loop wiring throughout connection. May be a short in the loop, or an open connection in the loop (LiftMaster Plug-in Loop Detector only).
44 Failure or missing SHADOW loop	
45 Failure or missing INTERRUPT loop	
46 Wireless edge battery low	Replace batteries in wireless edge.
47 Power board fault	Relay fault detected in the power board. Replace the power board.
50 Run-Distance Error	Limits are less than 4 feet apart or longer than what was learned. Check limit positions and proper switch function. Run-distance can be re-learned by setting the handing again.
53 Brownout occurred	AC/DC board supply dipped below allowable level. Review power supply and wiring. If rebooting, ensure enough time for discharge of power to force a fresh boot.
54 Wireless Second Operator Communication Error	Check the second operator for power. If OFF, restore power and try to run the system. If powered, deactivate the wireless feature and then re-learn the second operator.
55 System AC Overvoltage	Call utility.
56 System AC Undervoltage	Check wiring and wire gauge to operator.
57 Limit Error - Stuck Switch	Check switch for proper operation. Check harness for shorts. Replace if defective.
58 Limit Error - Wrong Switch	Check motor wiring.
59 Missing Power Board	Check harness for shorts. Check for presence of power board.
60 Minimum number of monitored entrapment protection devices (one) not installed.	Review monitored entrapment protection device connections.
61 CLOSE EYE/INTERRUPT held more than 3 minutes	Check wired input on main board; check for alignment or obstruction.
62 CLOSE EDGE held more than 3 minutes	
63 OPEN EYE/EDGE held more than 3 minutes	
64 CLOSE EYE/INTERRUPT held more than 3 minutes	Check wired input on expansion board; check for alignment or obstruction.
65 CLOSE EYE/EDGE held more than 3 minutes	
66 OPEN EYE/EDGE held more than 3 minutes	
67 Wireless edge triggered more than 3 minutes	Check wired input for wiring issue or obstruction.
68 Wireless edge loss of monitoring	Check wireless edge inputs.
69 Wireless edge triggered	If an obstruction occurred, no action required. If an obstruction did NOT occur, check inputs and wiring.
70 CLOSE EYE/INTERRUPT triggered, causing reversal, preventing close, or resetting TTC	If an obstruction occurred, no action required. If an obstruction did NOT occur, check alignment, inputs, and wiring on main board.
71 CLOSE EDGE triggered, causing reversal, preventing close, or canceling TTC	
72 OPEN EYE/EDGE triggered, causing reversal or preventing opening	
73 CLOSE EYE/INTERRUPT triggered, causing reversal, preventing close, or resetting TTC	If an obstruction occurred, no action required. If an obstruction did NOT occur, check alignment, inputs, and wiring on expansion board.
74 CLOSE EYE/EDGE triggered, causing reversal and preventing close or canceling TTC	
75 OPEN EYE/EDGE triggered, causing reversal or preventing opening	
80 Close input (EYE/EDGE) communication fault from other operator	Check inputs and communication method between operators, either wired bus or radio. Ensure operator is powered. May have to erase the wireless communication and reprogram the two operators.
81 Open input (EYE/EDGE) communication fault from other operator	
82 Close input (EYE/EDGE) communication fault (expansion board)	Check the connections between the main board and the expansion board.
83 Open input (EYE/EDGE) communication fault (expansion board)	
91 Force Reversal	Look for obstruction, if no obstruction, check that the mechanical assembly is engaged and free to move. Refer to manual for Limit and Force Adjustment, and Obstruction Test.
93 RPM / STALL Reversal	Check for obstruction. If no obstruction, check the operator cable wiring and that the operator arm is engaged and free to move. Replace RPM assembly.
95 AC motor no start condition	Motor failed to start. Check for an obstructed gate or binding mechanism. Check start capacitor connections and condition.
99 Normal Operation	No action required

